

REV	DESCRIPTION OF REVISION	ECN No.	BY	DATE	APPROVED
A	INITIAL RELEASE	—	L. Ma	03/25/09	M. Dong

## TECHNICAL DATA

### Electrical data

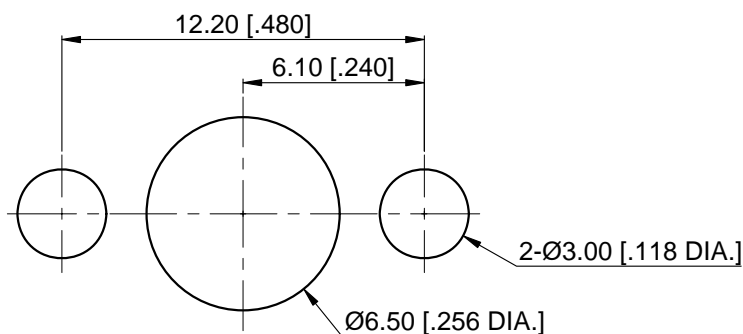
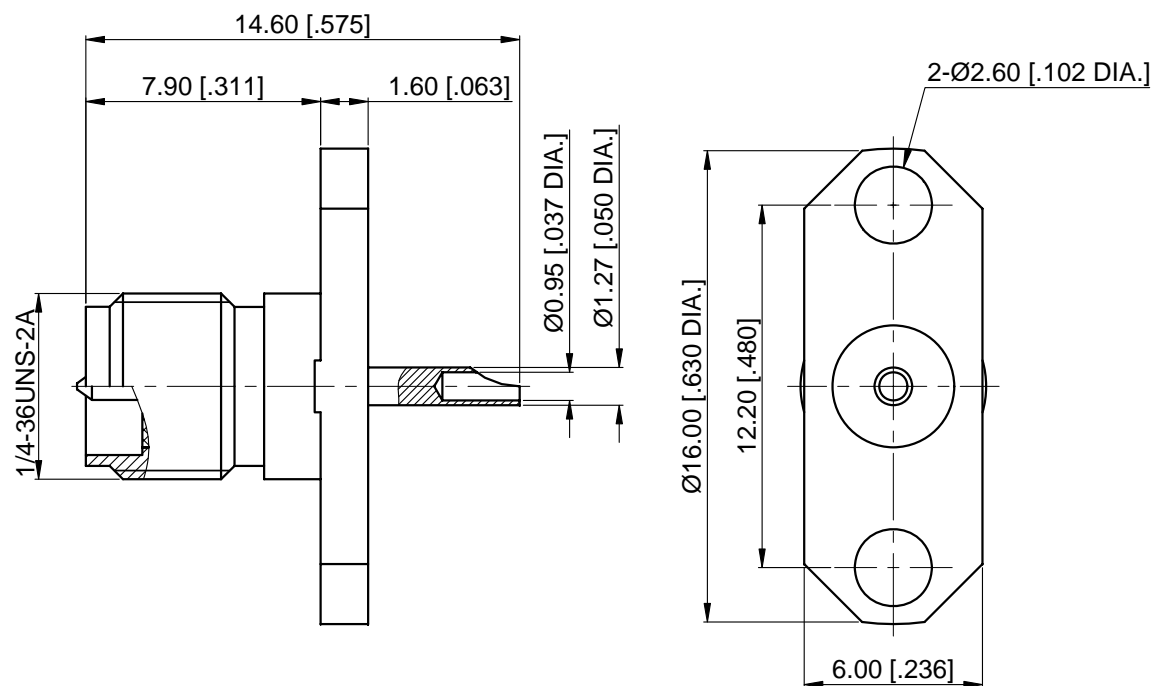
Impedance	50 Ω
Frequency range	0~6 GHz
Insulation resistance	≥5x10 <sup>3</sup> MΩ
Withstanding voltage	1000 V

### Mechanical data

Temperature range	-65 °C ~ +165 °C
Durability (matings)	>500

### Material data


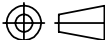
Body	Brass, Gold-plated
Pin Contact	Brass, Gold-plated
Insulator	PTFE



Recommended Mounting Hole

#### NOTES:

- ALL SPECIFICATIONS ARE SUBJECT TO CHANGE WITHOUT NOTICE AT ANY TIME
- CUSTOMER OUTLINE DRAWING FOR REFERENCE ONLY

DRAWN: L. Ma 03/25/09	TITLE:	 <a href="http://www.cmptter.com">www.cmptter.com</a>			
ENGINEER: L. Ding 03/25/09	RP SMA Straight Female 2 Hole Flange with Solder Cup				
APPROVED: M. Dong 03/25/09		 DIMENSIONS IN MILLIMETERS (mm)			
TOLERANCE UNLESS OTHERWISE SPECIFIED	PART No.: 61-02-8E1-016			SIZE: A4	SCALE: 4:1
X ±0.50 [.019"]					
.X ±0.20 [.008"]					
.XX ±0.10 [.004"]					
ANGLES ±1°					