

REV	DESCRIPTION OF REVISION	ECN No.	BY	DATE	APPROVED
A	INITIAL RELEASE	—	L. Ma	03/25/09	M. Dong

TECHNICAL DATA

Electrical data

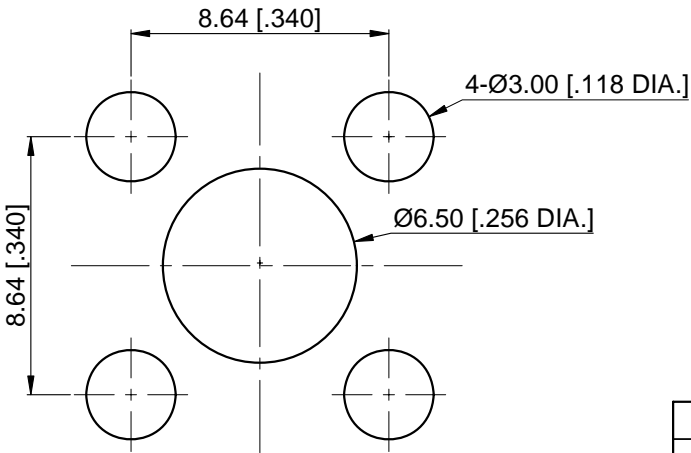
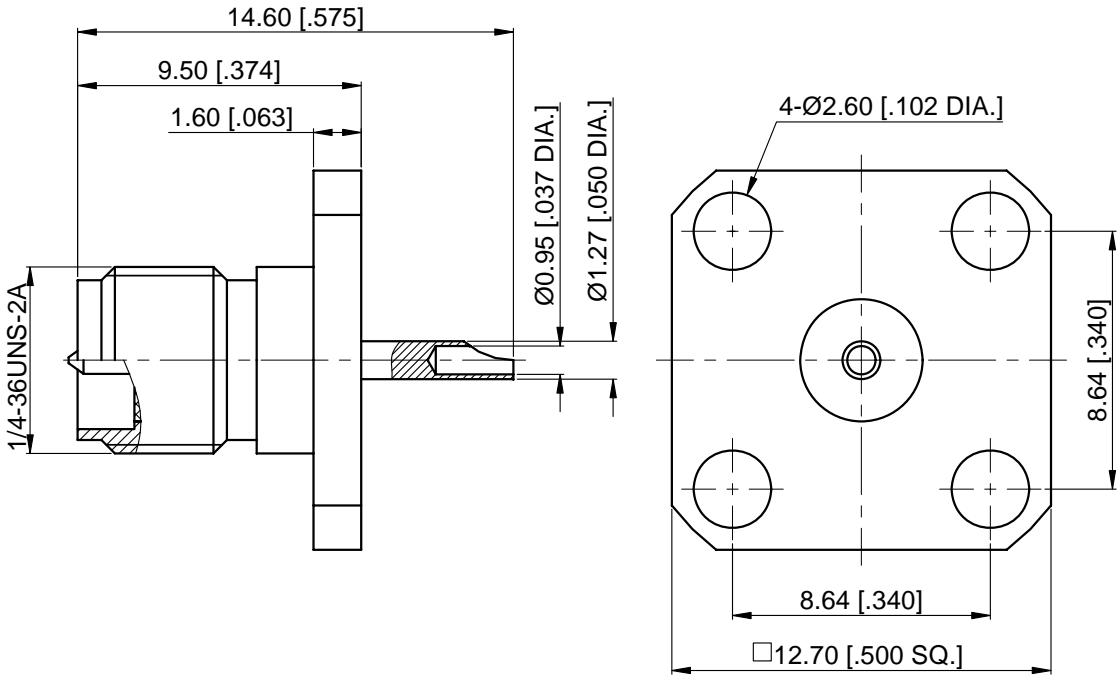
Impedance	50 Ω
Frequency range	0~6 GHz
Insulation resistance	≥5×10 ³ MΩ
Withstanding voltage	1000 V

Mechanical data

Temperature range	-65 °C ~ +165 °C
Durability (matings)	>500

Material data


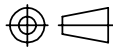
Body	Brass, Gold-plated
Pin Contact	Brass, Gold-plated
Insulator	PTFE



NOTES:

- ALL SPECIFICATIONS ARE SUBJECT TO CHANGE WITHOUT NOTICE AT ANY TIME
- CUSTOMER OUTLINE DRAWING FOR REFERENCE ONLY

Recommended Mounting Hole

DRAWN: L. Ma 03/25/09	TITLE:	 www.cmppter.com			
ENGINEER: L. Ding 03/25/09	RP SMA Straight Female 4 Hole Flange with Solder Cup				
APPROVED: M. Dong 03/25/09		 DIMENSIONS IN MILLIMETERS (mm)			
TOLERANCE UNLESS OTHERWISE SPECIFIED	PART No.: 61-02-8F1-017				SIZE: A4