

REV	DESCRIPTION OF REVISION	ECN No.	BY	DATE	APPROVED
A	INITIAL RELEASE	—	L. Ma	03/20/09	M. Dong

## TECHNICAL DATA

### Electrical data

Impedance	50 Ω
Frequency range	0~6 GHz
Insulation resistance	≥5x10 <sup>3</sup> MΩ
Withstanding voltage	1000 V

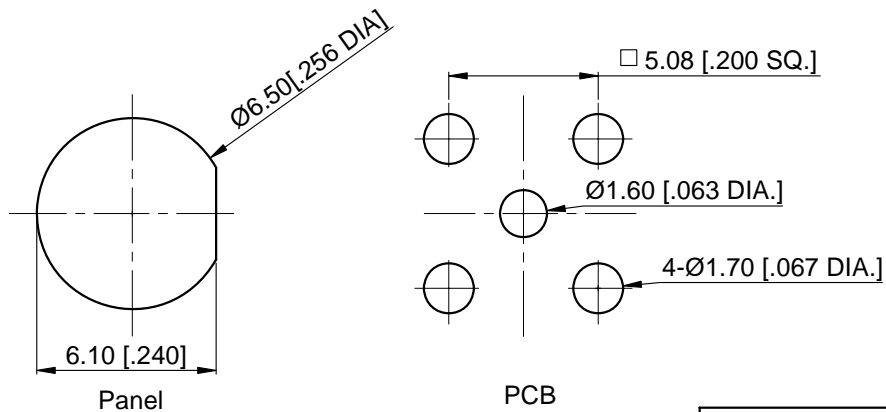
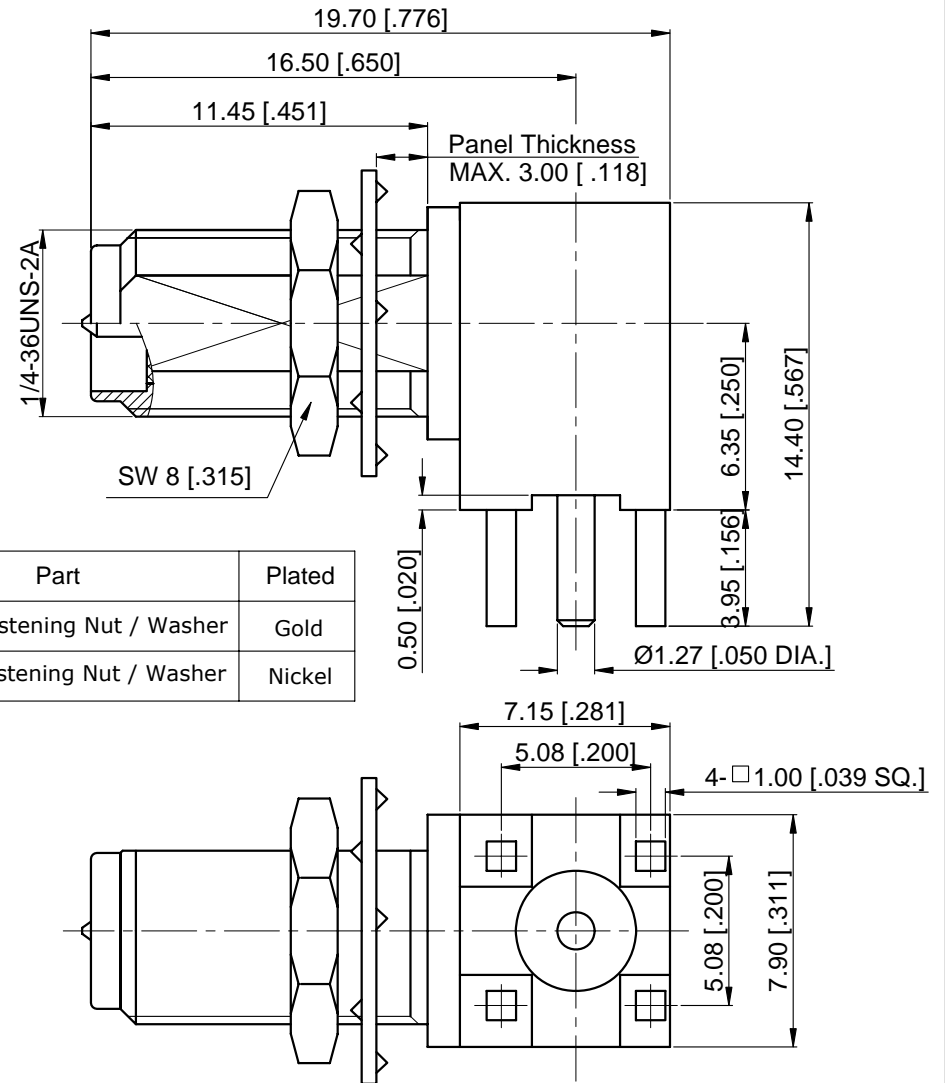
### Mechanical data

Temperature range	-65 °C ~ +165 °C
Durability (matings)	>500

### Material data

Bodies	Brass, Plated see Table
Pin Contact	Brass, Gold-plated
Fastening Nut	Brass, Plated see Table
Washer	Phosphor Bronze, Plated see Table
Insulator	PTFE

Part Number	Part	Plated
61-12-5L2-015-1	Body / Fastening Nut / Washer	Gold
61-12-5L2-015-2	Body / Fastening Nut / Washer	Nickel




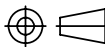
Recommended Mounting Hole

#### NOTES:

- ALL SPECIFICATIONS ARE SUBJECT TO CHANGE WITHOUT NOTICE AT ANY TIME
- CUSTOMER OUTLINE DRAWING FOR REFERENCE ONLY

DRAWN: L. Ma 03/20/09
ENGINEER: J. Zhu 03/20/09
APPROVED: M. Dong 03/20/09
TOLERANCE UNLESS OTHERWISE SPECIFIED
X ±0.50 [.019"]
.X ±0.20 [.008"]
.XX ±0.10 [.004"]
ANGLES ±1°

TITLE:	RP SMA Right Angle Bulkhead PCB Jack
PART No.:	61-12-5L2-015

 <a href="http://www.cmptter.com">www.cmptter.com</a>			
 DIMENSIONS IN MILLIMETERS (mm)			
SIZE: A4	SCALE: 4:1	SHEET: 1/1	REV: A