

TECHNICAL DATA

Electrical

Impedance	50 Ω
Frequency range	0~6 GHz
Withstanding voltage	1000 V
Insulation resistance	≥5000MΩ

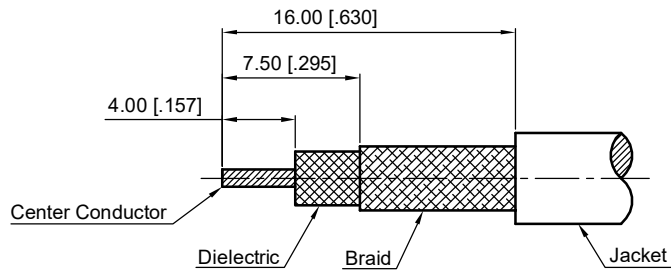
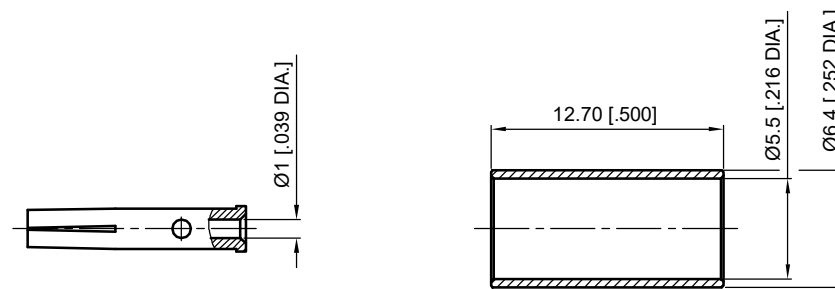
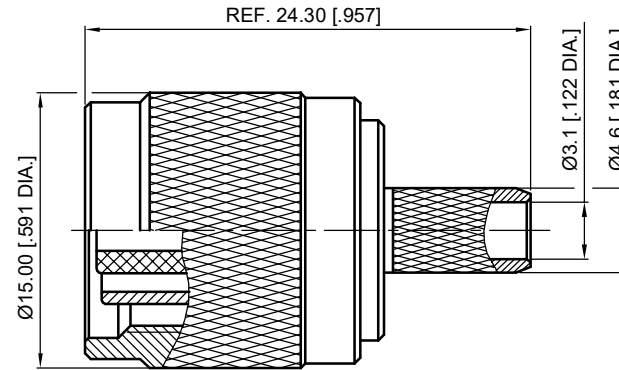
Mechanical & Environmental

Durability (matings)	>500
Temperature range	-55 °C ~ +165 °C
RoHS Compliant	Yes

Material & Finish

Body	Brass, Nickel-plated
Pin Contact	Phosphor Bronze, Gold-plated
Coupling Nut	Brass, Nickel-plated
Crimp Ferrule	Copper, Nickel-plated
Insulator	PTFE
Gasket	Silicone Rubber

REVISIONS				
REV	DESCRIPTION OF REVISION	ECN No.	DATE	APPROVED
A	INITIAL RELEASE	---	06/25/2013	M. Dong
B	DIMENSIONS CHANGED	---	11/01/2017	M. Dong



Cable Stripping Dimensions

- 1. CRIMP FERRULE
HEX. CRIMP TOOL SIZE : 5.4 [.213]
- 2. CRIMP PIN CONTACT
HEX. CRIMP TOOL SIZE : 1.73 [.068]

NOTES:

1. ALL SPECIFICATIONS ARE SUBJECT TO CHANGE WITHOUT NOTICE AT ANY TIME
2. UNLESS OTHERWISE SPECIFIED ALL DIMENSIONS ARE NOMINAL.

UNLESS OTHERWISE SPECIFIED, DIMENSIONS ARE IN MILLIMETERS (INCHES). UNLESS OTHERWISE SPECIFIED DIMENSIONAL TOLERANCES ARE:	
.XX	±0.13 [.005"]
.X	±0.20 [.008"]
X	±0.50 [.019"]
ANGULAR TOLERANCES ARE: ALL= ±1°	
DO NOT SCALE DRAWING	
PROJECTION:	

DRAWN:	L. Ma	11/01/2017
CHECKED:	J. Zhu	11/01/2017
APPROVED:	M. Dong	11/01/2017

TITLE:
**RP TNC Straight Male Crimp
for LMR195/RG58 Cable**

CMPPTER[®]
Cmppter Electronics Co., Ltd. www.cmppter.com

PART No.: 81-04-1M18-002			
SIZE: A4	SCALE: 4:1	SHEET: 1/1	REV: B