

TECHNICAL DATA

Electrical

Impedance	50 Ω
Frequency range	0~3 GHz
Withstanding voltage	1000 V
Insulation resistance	≥5x10 ³ MΩ

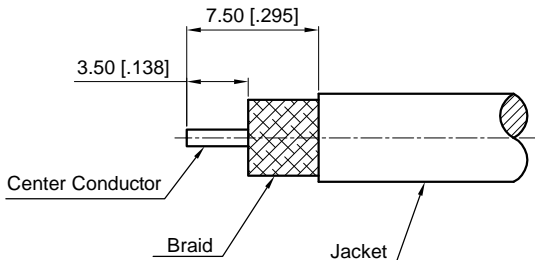
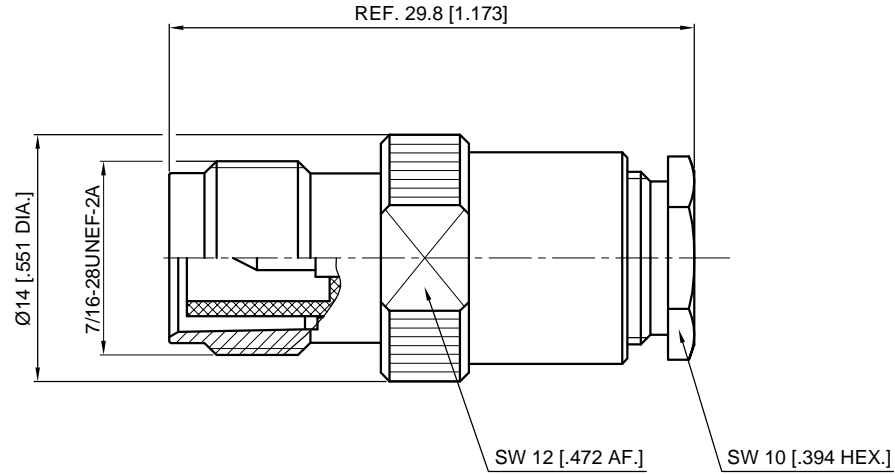
Mechanical & Environmental

Durability (matings)	>500
Temperature range	-55 °C ~ +165 °C
RoHS Compliant	Yes

Material & Finish

Body	Brass, Nickel-plated
Pin Contact	Brass, Gold-plated
Fastening Nut	Brass, Nickel-plated
Insulator	PTFE
Gasket	Silicone Rubber

REVISIONS				
REV	DESCRIPTION OF REVISION	ECN No.	DATE	APPROVED
A	INITIAL RELEASE	—	02/15/2017	M. Dong



Cable Stripping Dimensions

- NOTES:
- ALL SPECIFICATIONS ARE SUBJECT TO CHANGE WITHOUT NOTICE AT ANY TIME
 - UNLESS OTHERWISE SPECIFIED ALL DIMENSIONS ARE NOMINAL.

UNLESS OTHERWISE SPECIFIED, DIMENSIONS ARE IN MILLIMETERS (INCHES). UNLESS OTHERWISE SPECIFIED DIMENSIONAL TOLERANCES ARE: .XX ±0.13 [.005"] X ±0.20 [.008"] X ±0.50 [.019"] ANGULAR TOLERANCES ARE: ALL= ±1° DO NOT SCALE DRAWING PROJECTION:	DRAWN:	L. Ma	02/15/2017
	CHECKED:	J. Zhu	02/15/2017
	APPROVED:	M. Dong	02/15/2017
	TITLE:	RP TNC Straight Female Clamp for RG142/RG223/RG58/LMR195 Cable	

CMP TER®
Cmpter Electronics Co., Ltd. www.cmpter.com

PART No.:
81-05-4M21-007

SIZE: A4	SCALE: 2.5:1	SHEET: 1/1	REV: A
----------	--------------	------------	--------