

TECHNICAL DATA

Electrical

Impedance	50 Ω
Frequency range	0~6 GHz
Insulation resistance	≥5x10 ³ MΩ
Withstanding voltage	1000 V

Mechanical & Environmental

Durability (matings)	>500
Temperature range	-55 °C ~ +165 °C
RoHS Compliant	Yes

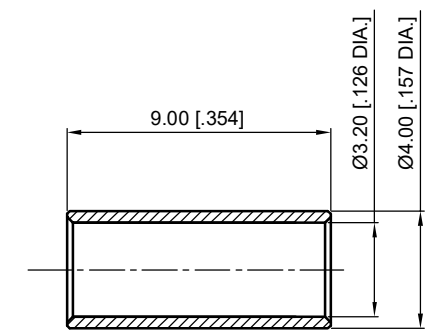
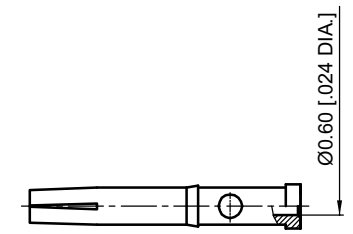
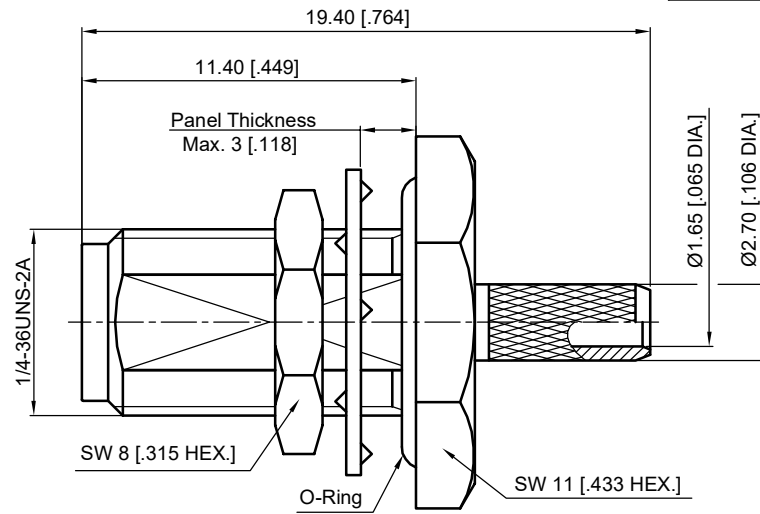
Material & Finish

Body	Brass, See Table
Pin Contact	Beryllium Copper Alloy, Gold-plated
Fastening Nut	Brass, See Table
Crimp Ferrule	Copper, Nickel -plated
Washer	Phosphor Bronze, See Table
Insulator	PTFE
O-Ring	Silicone Rubber

Interface Standards

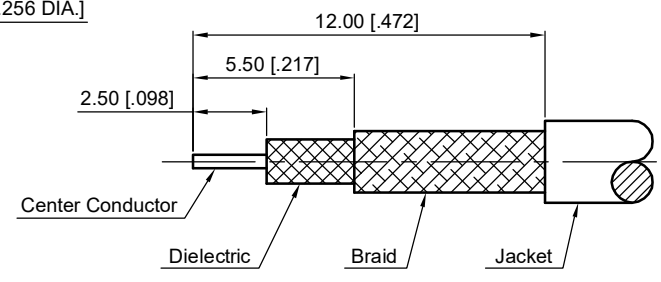
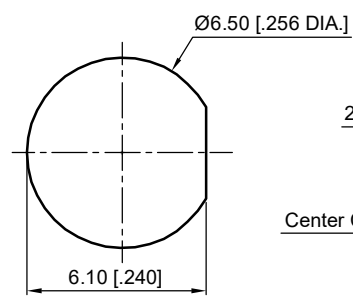
SMA	IEC-60169
-----	-----------

REVISIONS				
REV	DESCRIPTION OF REVISION	ECN No.	DATE	APPROVED
A	INITIAL RELEASE	---	04/15/2007	M. Dong
B	STRUCTURE CHANGED	---	08/15/2010	M. Dong
C	STRUCTURE CHANGED	---	04/18/2013	M. Dong
D	STRUCTURE CHANGED	---	07/01/2017	M. Dong



Part Number	Part / Finish
60-02-1B00-020-1	Bodies / Gold
	Fastening Nut / Gold
	Washer / Gold
60-02-1B00-020-2	Bodies / Nickel
	Fastening Nut / Nickel
	Washer / Nickel

1. CRIMP FERRULE
HEX. CRIMP TOOL SIZE: 3.25 [.128]



UNLESS OTHERWISE SPECIFIED, DIMENSIONS ARE IN MILLIMETERS [INCHES].
UNLESS OTHERWISE SPECIFIED DIMENSIONAL TOLERANCES ARE:
.XX ±0.13 [.005"]
.X ±0.20 [.008"]
X ±0.50 [.019"]
ANGULAR TOLERANCES ARE: ALL= ±1°
DO NOT SCALE DRAWING
PROJECTION:

DRAWN: L. Ma 04/18/2013
CHECKED: J. Zhu 04/18/2013
APPROVED: M. Dong 04/18/2013
TITLE:
SMA Straight Waterproof Bulkhead Female Crimp for LMR100/RG174/RG316 Cable

CMPPTER
Cmppter Electronics Co., Ltd. www.cmppter.com
PART No.: **60-02-1B00-020**
SIZE: A4 SCALE: 4:1 SHEET: 1/1 REV: D

NOTES:
1. ALL SPECIFICATIONS ARE SUBJECT TO CHANGE WITHOUT NOTICE AT ANY TIME
2. UNLESS OTHERWISE SPECIFIED ALL DIMENSIONS ARE NOMINAL.