

REVISIONS				
REV	DESCRIPTION OF REVISION	ECN No.	DATE	APPROVED
A	INITIAL RELEASE		03/16/2013	M. Dong

TECHNICAL DATA

Electrical

Impedance 50 Ω
 Frequency range 0~6 GHz
 Withstanding voltage 1000 V
 Insulation resistance $\geq 5 \times 10^3$ MΩ

Mechanical & Environmental

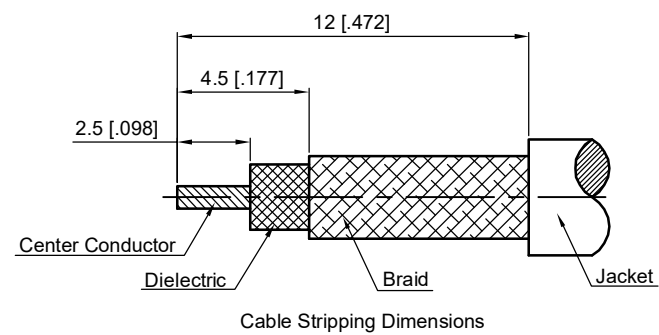
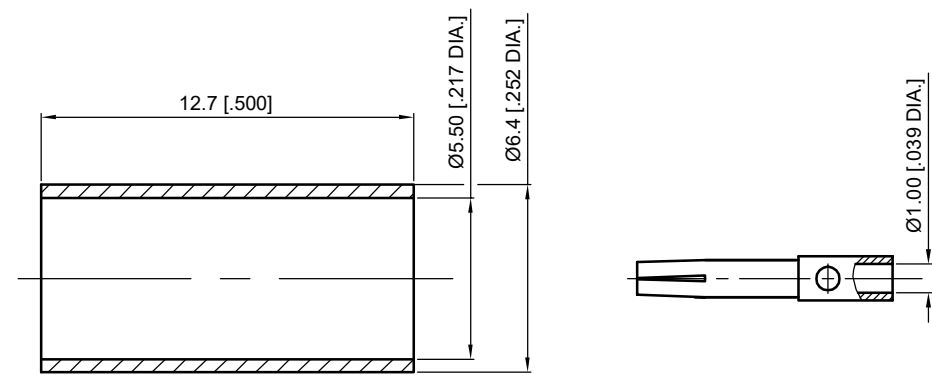
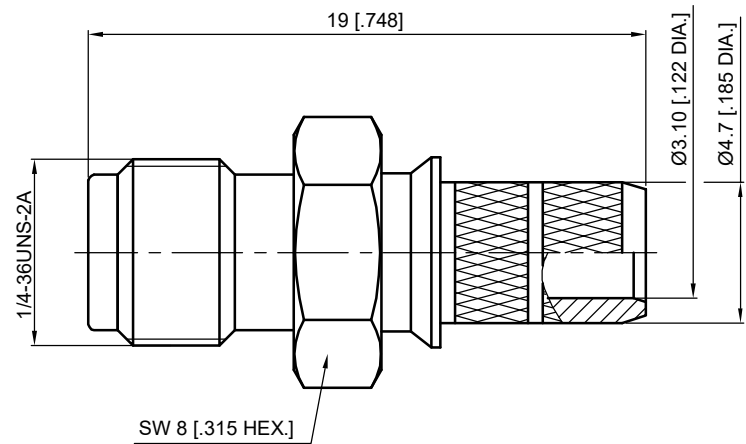
Durability (matings) >500
 Temperature range -65 °C ~ +165 °C
 RoHS Compliant Yes

Material & Finish

Body Brass, Gold-plated
 Pin Contact Phosphor Bronze, Gold-plated
 Crimp Ferrule Copper, Nickel -plated
 Insulator PEI

Interface Standards

SMA IEC-61169



1. CRIMP FERRULE
 HEX. CRIMP TOOL SIZE: 5.4 [.213]

NOTES:
 1. ALL SPECIFICATIONS ARE SUBJECT TO CHANGE WITHOUT NOTICE AT ANY TIME
 2. UNLESS OTHERWISE SPECIFIED ALL DIMENSIONS ARE NOMINAL.

UNLESS OTHERWISE SPECIFIED, DIMENSIONS ARE IN MILLIMETERS (INCHES).
 UNLESS OTHERWISE SPECIFIED DIMENSIONAL TOLERANCES ARE:
 .XX ±0.13 [.005"]
 X ±0.20 [.008"]
 X ±0.50 [.019"]

ANGULAR TOLERANCES ARE: ALL= ±1°

DO NOT SCALE DRAWING

PROJECTION:

DRAWN:	L. Ma	03/16/2013
CHECKED:	J. Zhu	03/16/2013
APPROVED:	M. Dong	03/16/2013

TITLE:
**SMA Straight Female Crimp
 for RG58/LMR195 Cable**

CMPPTER[®]
 Cmptter Electronics Co., Ltd. www.cmptter.com

PART No.:
60-02-1M18-167

SIZE: A4	SCALE: 4:1	SHEET: 1/1	REV: A
-------------	---------------	---------------	-----------