

REV	DESCRIPTION OF REVISION	ECN No.	BY	DATE	APPROVED
A	INITIAL RELEASE	---	L. Ma	03/25/08	M. Dong
B	STRUCTURE CHANGED	---	L. Ma	11/23/10	M. Dong
C	ADD DIMENSIONS	---	H. Xiao	08/12/11	M. Dong

TECHNICAL DATA

Electrical data

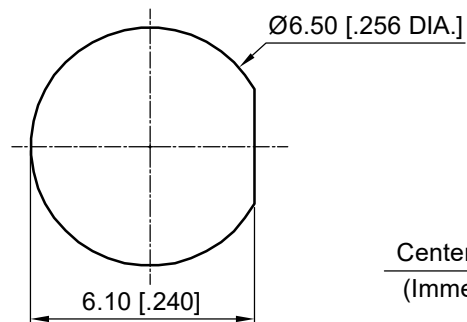
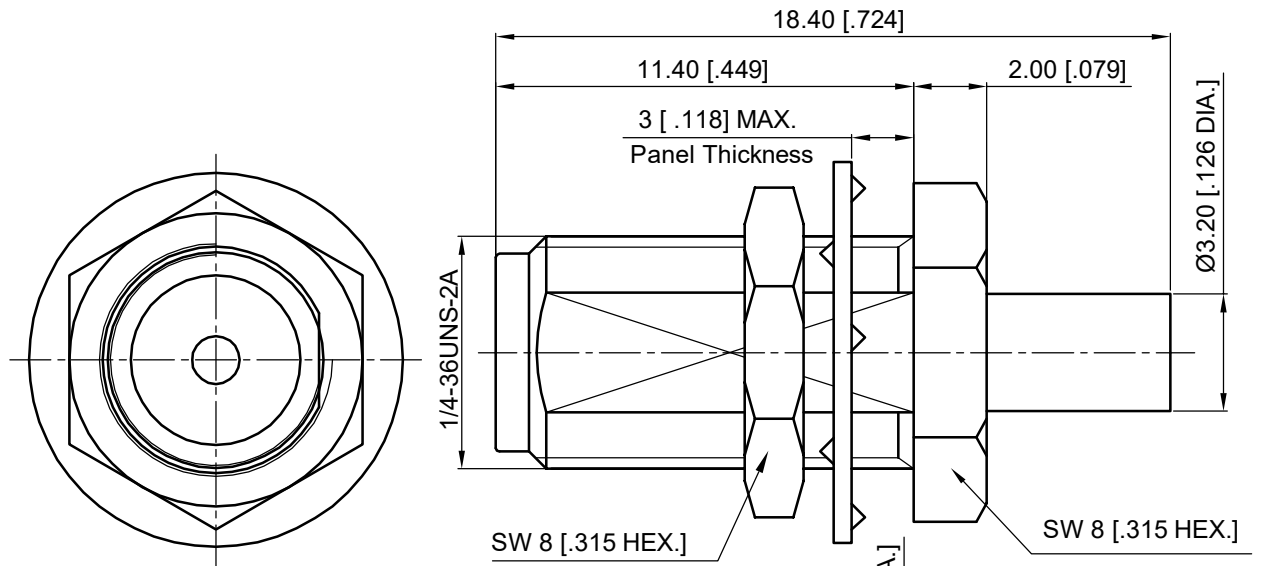
Impedance	50 Ω
Frequency range	DC~6 GHz
Insulation resistance	≥5x10 ³ MΩ
Withstanding voltage	1000 V

Mechanical data

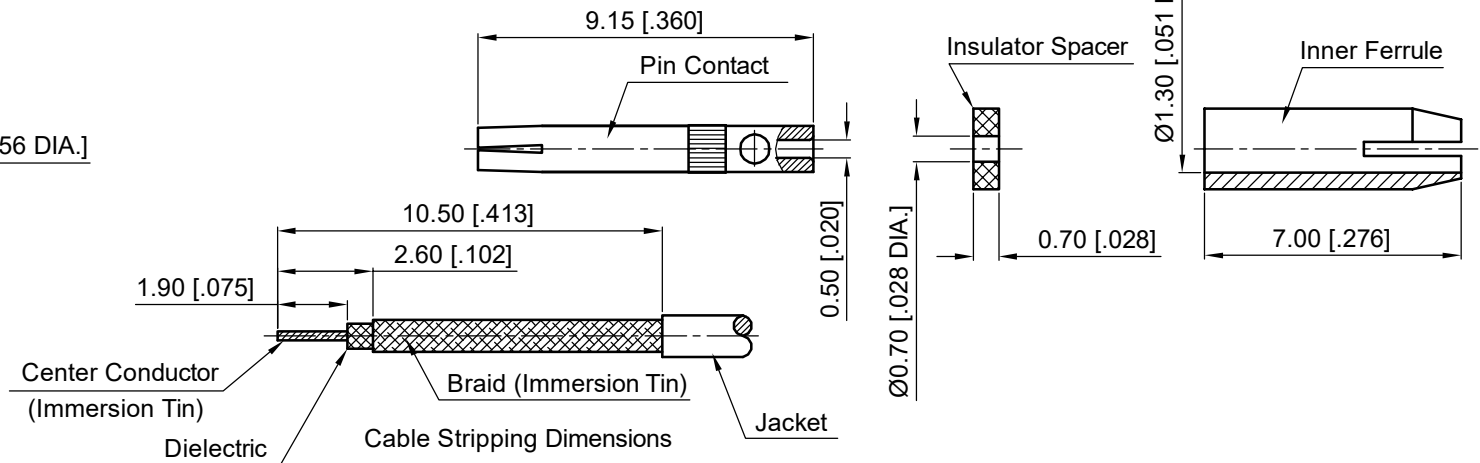
Temperature range	-55 °C ~ +155 °C
Durability (matings)	>500

Material data

Bodies	Brass, Gold-plated
Pin Contact	Beryllium Copper Alloy, Gold-plated
Fastening Nut	Brass, Gold-plated
Washer	Beryllium Copper Alloy, Gold-plated
Insulator	PTFE



Recommended Mounting Hole



Cable Stripping Dimensions

NOTES:

- ALL SPECIFICATIONS ARE SUBJECT TO CHANGE WITHOUT NOTICE AT ANY TIME
- CUSTOMER OUTLINE DRAWING FOR REFERENCE ONLY

DRAWN: H. Xiao 08/12/11
ENGINEER: J. Zhu 08/12/11
APPROVED: M. Dong 08/12/11
TOLERANCE UNLESS OTHERWISE SPECIFIED
X ±0.50 [0.019"]
.X ±0.20 [0.008"]
.XX ±0.10 [0.004"]
ANGLES ±1°

TITLE:

SMA Straight Bulkhead Female Solder
for 1.13mm/1.32mm/1.37mm Cable

PART No.: 60-02-2M23-054

CMPPTER®

www.cmppter.com



DIMENSIONS IN MILLIMETERS (mm)

SIZE:
A4

SCALE:
5:1

SHEET:
1/1

REV:
C