

REV	DESCRIPTION OF REVISION	ECN No.	BY	DATE	APPROVED
A	INITIAL RELEASE	—	L. Ma	09/17/10	M. Dong

TECHNICAL DATA

■ Electrical data

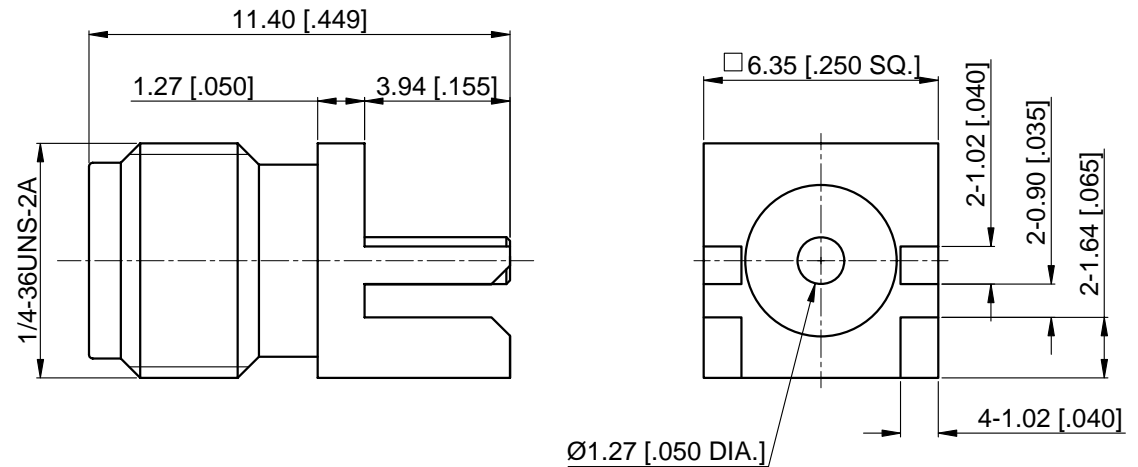
Impedance	50 Ω
Frequency range	0~6 GHz
Insulation resistance	≥5x10 ³ MΩ
Withstanding voltage	1000 V

■ Mechanical data

Temperature range	-65 °C ~ +165 °C
Durability (matings)	>500


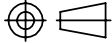
■ Material data

Body	Brass, Gold-plated
Pin Contact	Beryllium Copper Alloy, Gold-plated
Insulator	PTFE



NOTES:

- ALL SPECIFICATIONS ARE SUBJECT TO CHANGE WITHOUT NOTICE AT ANY TIME
- CUSTOMER OUTLINE DRAWING FOR REFERENCE ONLY

DRAWN: L. Ma 09/17/10	TITLE:	 www.cmptter.com			
ENGINEER: J. Zhu 09/17/10	SMA Straight Jack for 0.81 [.032] Thickness PCB Board				
APPROVED: M. Dong 09/17/10		 DIMENSIONS IN MILLIMETERS (mm)			
TOLERANCE UNLESS OTHERWISE SPECIFIED	PART No.: 60-02-5L2-060	SIZE: A4	SCALE: 5:1	SHEET: 1/1	REV: A
X ±0.50 [.019"] .X ±0.20 [.008"] .XX ±0.10 [.004"] ANGLES ±1°					