

REV	DESCRIPTION OF REVISION	ECN No.	BY	DATE	APPROVED
A	INITIAL RELEASE	—	H. Xiao	09/18/10	M. Dong

TECHNICAL DATA

Electrical data

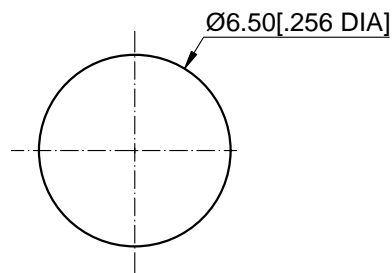
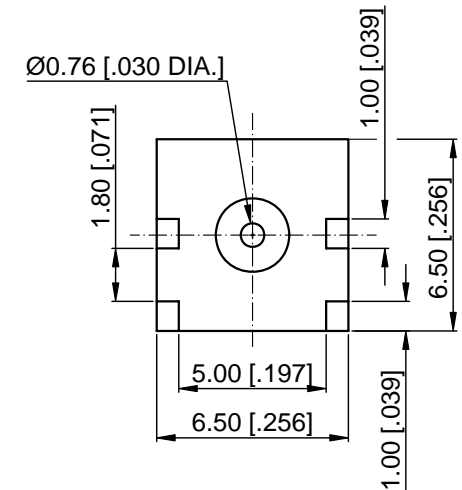
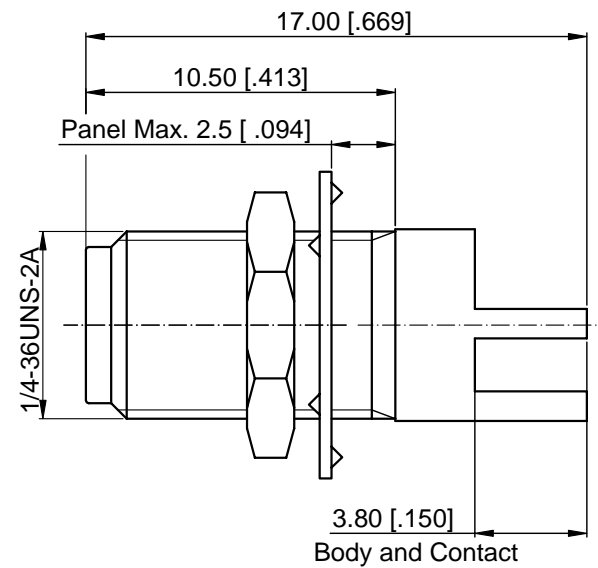
Impedance	50 Ω
Frequency range	0~6 GHz
Insulation resistance	≥5x10 ³ MΩ
Withstanding voltage	1000 V

Mechanical data

Temperature range	-40 °C ~ +85 °C
Durability (matings)	>500

Material data


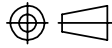
Body	Brass,Gold-plated
Pin Contact	Beryllium Copper Alloy,Gold-plated
Insulator	PTFE



Recommended Mounting Hole

NOTES:

- ALL SPECIFICATIONS ARE SUBJECT TO CHANGE WITHOUT NOTICE AT ANY TIME
- CUSTOMER OUTLINE DRAWING FOR REFERENCE ONLY

DRAWN: H. Xiao 09/18/10	TITLE:	 www.cmppter.com			
ENGINEER: YF. Zhu 09/18/10	SMA Bulkhead End Launch Jack Receptacle				
APPROVED: M. Dong 09/18/10		 DIMENSIONS IN MILLIMETERS (mm)			
TOLERANCE UNLESS OTHERWISE SPECIFIED	PART No.: 60-02-5L2-062				
X ±0.50 [.019"] .X ±0.20 [.008"] .XX ±0.10 [.004"] ANGLES ±1°		SIZE: A4	SCALE: 4:1	SHEET: 1/1	REV: A