

TECHNICAL DATA

Electrical

Impedance 50 Ω
 Frequency range 0~12 GHz
 Withstanding voltage 1000 V
 Insulation resistance $\geq 5 \times 10^3$ MΩ

Mechanical & Environmental

Durability (matings) >500
 Temperature range -55 °C ~ +165 °C
 RoHS Compliant Yes

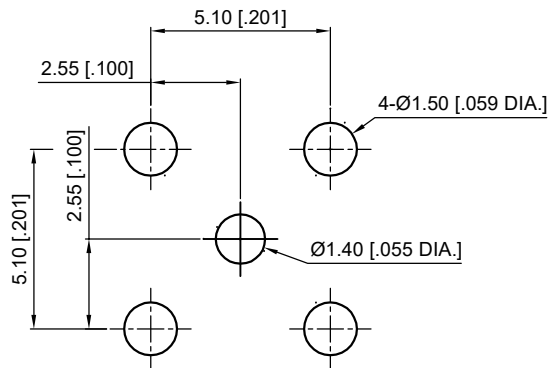
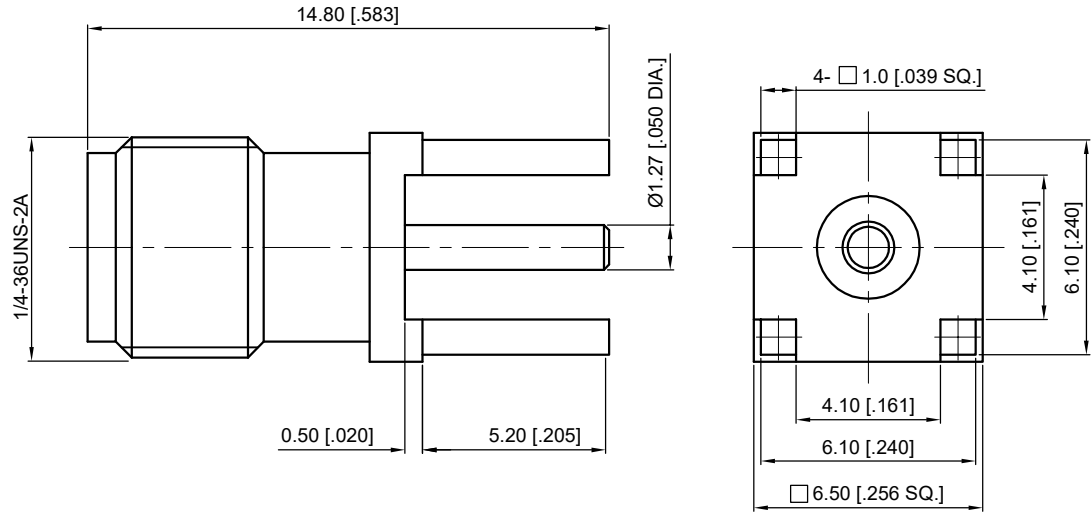
Material & Finish

Body Brass, Gold-plated
 Pin Contact Beryllium Copper Alloy, Gold-plated
 Insulator PTFE

Interface Standards

SMA IEC-60169

REVISIONS				
REV	DESCRIPTION OF REVISION	ECN No.	DATE	APPROVED
A	INITIAL RELEASE	---	12/13/2017	M. Dong
B	FREQUENCY RANGE UP TO 12GHz	---	07/22/2020	M. Dong



Recommended Mounting Hole

NOTES:

- ALL SPECIFICATIONS ARE SUBJECT TO CHANGE WITHOUT NOTICE AT ANY TIME
- UNLESS OTHERWISE SPECIFIED ALL DIMENSIONS ARE NOMINAL.

UNLESS OTHERWISE SPECIFIED, DIMENSIONS ARE IN MILLIMETERS (INCHES). UNLESS OTHERWISE SPECIFIED DIMENSIONAL TOLERANCES ARE: .XX ±0.13 [005"] X ±0.20 [008"] X ±0.50 [019"]	
ANGULAR TOLERANCES ARE: ALL = ±1°	
DO NOT SCALE DRAWING	
PROJECTION:	

DRAWN:	L. Ma	07/22/2020
CHECKED:	J. Zhu	07/22/2020
APPROVED:	M. Dong	07/22/2020

TITLE: SMA Straight Female for PCB

CMPPTER®
 Cmppter Electronics Co., Ltd. www.cmppter.com

PART No.: **60-02-5L2-276**

SIZE: A4	SCALE: 5:1	SHEET: 1/1	REV: B
----------	------------	------------	--------