

# TECHNICAL DATA

## Electrical

Impedance	50 Ω
Frequency range	0~6 GHz
Withstanding voltage	1000 V
Insulation resistance	≥5000MΩ

## Mechanical & Environmental

Durability (matings)	>500
Temperature range	-55 °C ~ +165 °C
RoHS Compliant	Yes

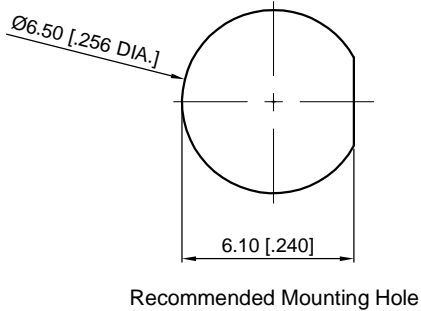
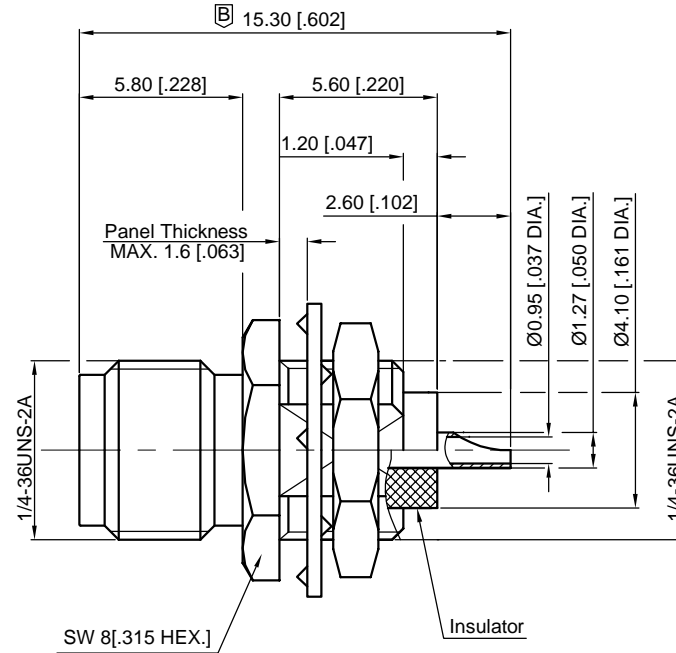
## Material & Finish

Body	Brass, Gold-plated
Pin Contact	Beryllium Copper Alloy, Gold-plated
Fastening Nut	Brass, Gold-plated
Washer	Phosphor Bronze, Gold-plated
Insulator	PTFE

## Interface Standards

SMA	IEC-60169
-----	-----------

REVISIONS				
REV	DESCRIPTION OF REVISION	ECN No.	DATE	APPROVED
A	INITIAL RELEASE	—	01/20/2020	M. Dong
B	DIMENSION 15.60 [.614]→15.30 [.602]	—	04/08/2020	M. Dong



- NOTES:
- ALL SPECIFICATIONS ARE SUBJECT TO CHANGE WITHOUT NOTICE AT ANY TIME
  - UNLESS OTHERWISE SPECIFIED ALL DIMENSIONS ARE NOMINAL.

UNLESS OTHERWISE SPECIFIED, DIMENSIONS ARE IN MILLIMETERS [INCHES]. UNLESS OTHERWISE SPECIFIED DIMENSIONAL TOLERANCES ARE: .XX ±0.13 [.005"] X ±0.20 [.008"] X ±0.50 [.019"] ANGULAR TOLERANCES ARE: ALL= ±1° DO NOT SCALE DRAWING PROJECTION:	
---	--

DRAWN:	L. Ma	04/08/2020
CHECKED:	J. Zhu	04/08/2020
APPROVED:	M. Dong	04/08/2020

TITLE:  
**SMA Straight Blukhead  
Female with Solder Cup**

Cmppter Electronics Co., Ltd. <a href="http://www.cmppter.com">www.cmppter.com</a>			
PART No.:			
<b>60-02-8A1-355</b>			
SIZE:	SCALE:	SHEET:	REV:
A4	4:1	1/1	B