

TECHNICAL DATA

Electrical

Impedance 50 Ω
 Frequency range 0~6 GHz
 Withstanding voltage 500 V
 Insulation resistance ≥5000MΩ

Mechanical & Environmental

Durability (matings) >500
 Temperature range -55 °C ~ +165 °C
 RoHS Compliant Yes

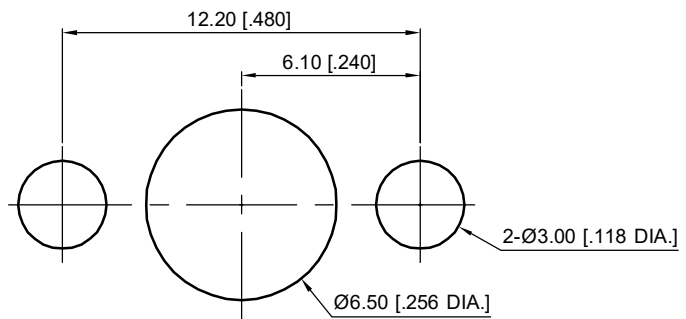
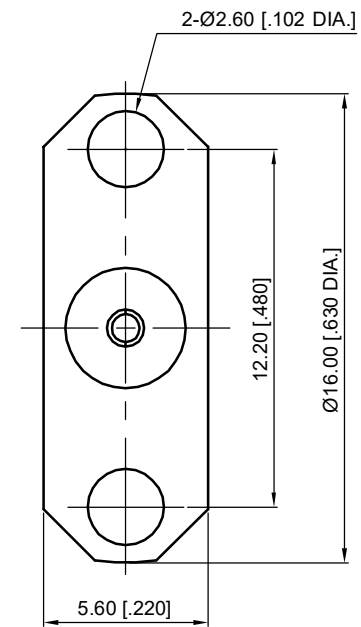
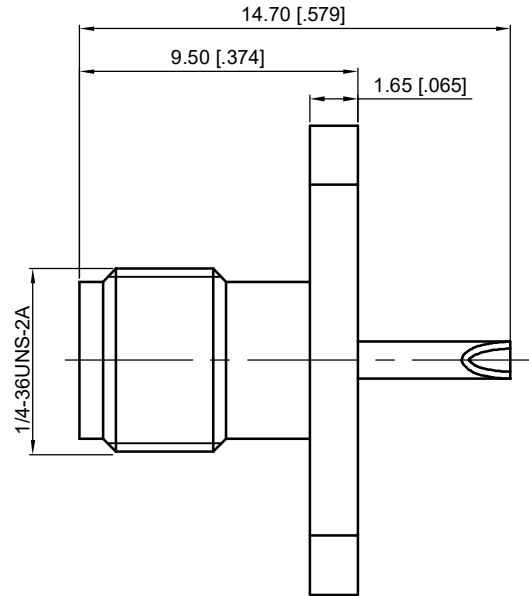
Material & Finish

Body Brass, Gold-plated
 Pin Contact Beryllium Copper Alloy, Gold-plated
 Insulator PTFE

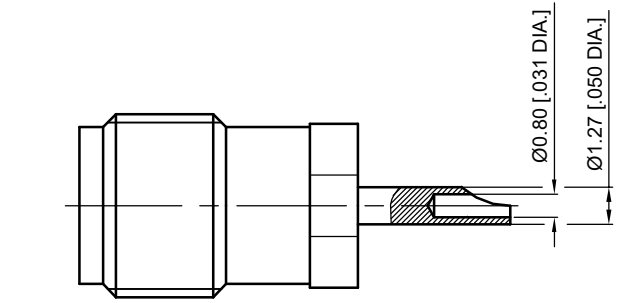
Interface Standards

SMA IEC-60169

REVISIONS				
REV	DESCRIPTION OF REVISION	ECN No.	DATE	APPROVED
A	INITIAL RELEASE	---	05/21/2008	M. Dong
B	DIMENSIONS CHANGED	---	04/16/2017	M. Dong



Recommended Mounting Hole



UNLESS OTHERWISE SPECIFIED, DIMENSIONS ARE IN MILLIMETERS (INCHES).
 UNLESS OTHERWISE SPECIFIED DIMENSIONAL TOLERANCES ARE:
 .XX ±0.13 [0.005"]
 .X ±0.20 [0.008"]
 X ±0.50 [0.019"]
 ANGULAR TOLERANCES ARE: ALL= ±1°
 DO NOT SCALE DRAWING
 PROJECTION:

DRAWN: L. Ma 04/16/2017
 CHECKED: J. Zhu 04/16/2017
 APPROVED: M. Dong 04/16/2017

TITLE: SMA Straight Female 2 Hole Flange with Solder Cup



Cmppter Electronics Co., Ltd. www.cmppter.com

PART No.: 60-02-8E1-037

SIZE: A4 SCALE: 4:1 SHEET: 1/1 REV: B

NOTES:
 1. ALL SPECIFICATIONS ARE SUBJECT TO CHANGE WITHOUT NOTICE AT ANY TIME
 2. UNLESS OTHERWISE SPECIFIED ALL DIMENSIONS ARE NOMINAL.