

REVISIONS

| REV | DESCRIPTION OF REVISION | ECN No. | DATE | APPROVED |
|-----|-------------------------|---------|------------|----------|
| A | INITIAL RELEASE | — | 02/27/2018 | M. Dong |

TECHNICAL DATA

Electrical

Impedance 50 Ω
 Frequency range 0~6 GHz
 Withstanding voltage 500 V
 Insulation resistance ≥50000MΩ

Mechanical & Environmental

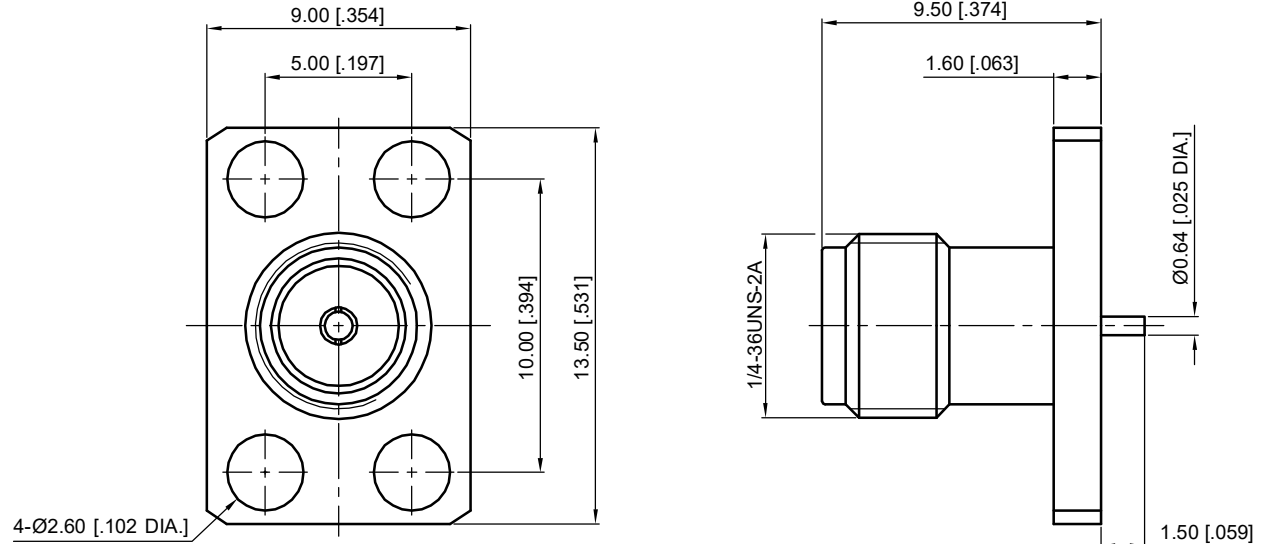
Durability (matings) >500
 Temperature range -55 °C ~ +165 °C
 RoHS Compliant Yes

Material & Finish

Body Brass, Gold-plated
 Pin Contact Beryllium Copper Alloy, Gold-plated
 Insulator PTFE

Interface Standards

SMA IEC-60169



- NOTES:
- ALL SPECIFICATIONS ARE SUBJECT TO CHANGE WITHOUT NOTICE AT ANY TIME
 - UNLESS OTHERWISE SPECIFIED ALL DIMENSIONS ARE NOMINAL.

| | |
|---|--|
| UNLESS OTHERWISE SPECIFIED, DIMENSIONS ARE IN MILLIMETERS (INCHES). UNLESS OTHERWISE SPECIFIED DIMENSIONAL TOLERANCES ARE: .XX ±0.13 [.005"] .X ±0.20 [.008"] X ±0.50 [.019"] | |
| ANGULAR TOLERANCES ARE: ALL= ±1° | |
| DO NOT SCALE DRAWING | |
| PROJECTION: | |

| | | |
|-----------|---------|------------|
| DRAWN: | L. Ma | 02/27/2018 |
| CHECKED: | J. Zhu | 02/27/2018 |
| APPROVED: | M. Dong | 02/27/2018 |

TITLE:
SMA Straight Female with Coaxial End, 4 Hole Flange Mount

CMP TER[®]
 Cmppter Electronics Co., Ltd. www.cmppter.com

PART No.:
60-02-8F2-283

| | | | |
|-------------|---------------|---------------|-----------|
| SIZE: A4 | SCALE: 4:1 | SHEET: 1/1 | REV: A |
|-------------|---------------|---------------|-----------|