

REV	DESCRIPTION OF REVISION	ECN No.	BY	DATE	APPROVED
A	INITIAL RELEASE	—	H. Xiao	03/11/11	M. Dong

TECHNICAL DATA

Electrical data

Impedance	50 Ω
Frequency range	0~27 GHz
VSWR	1.10:1 (0~18GHz) 1.15:1 (18GHz~27GHz)
Contact resistance	
-centre contact	≤3mΩ
-outer contact	≤2mΩ
Insulation resistance	≥5000MΩ

Mechanical data

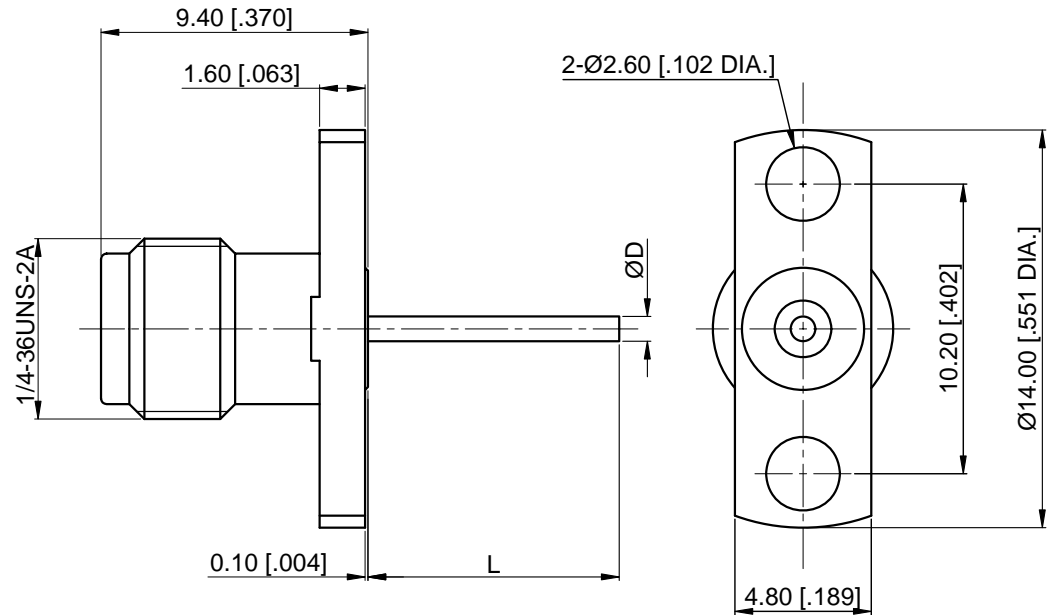
Temperature range	-55 °C ~ +165 °C
Durability (matings)	>500

Material data

Body	Stainless Steel (SU303), Passivated
Pin Contact	Beryllium Copper Alloy, Gold-plated
Insulator	PEI, PTFE

Interface Standards


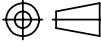
SMA	MIL-STD-348A
-----	--------------



Part Number	ØD PIN	L
60-02-9E2-130A	0.64 [.025]	18 [.709]
60-02-9E2-130B	0.87 [.034]	26 [1.024]
60-02-9E2-130C	0.87 [.034]	10.92 [.430]

NOTES:

- ALL SPECIFICATIONS ARE SUBJECT TO CHANGE WITHOUT NOTICE AT ANY TIME
- CUSTOMER OUTLINE DRAWING FOR REFERENCE ONLY

DRAWN: H. Xiao 03/11/11 ENGINEER: YF. Zhu 03/11/11 APPROVED: M. Dong 03/11/11 TOLERANCE UNLESS OTHERWISE SPECIFIED X ±0.50 [.019"] .X ±0.20 [.008"] .XX ±0.10 [.004"] ANGLES ±1°	TITLE: SMA Straight Female, Air Line Through the Wall, 2 Hole Flange	 www.cmppter.com
PART No.: 60-02-9E2-130	 DIMENSIONS IN MILLIMETERS (mm)	SIZE: A4 SCALE: 4:1 SHEET: 1/1 REV: A