

REV	DESCRIPTION OF REVISION	ECN No.	BY	DATE	APPROVED
A	INITIAL RELEASE	—	H. Xiao	03/11/11	M. Dong

TECHNICAL DATA

■ Electrical data

Impedance	50 Ω
Frequency range	0~27 GHz
VSWR	1.10:1 (0~18GHz) 1.15:1 (18GHz~27GHz)
Contact resistance	
-centre contact	≤3mΩ
-outer contact	≤2mΩ
Insulation resistance	≥5000MΩ

■ Mechanical data

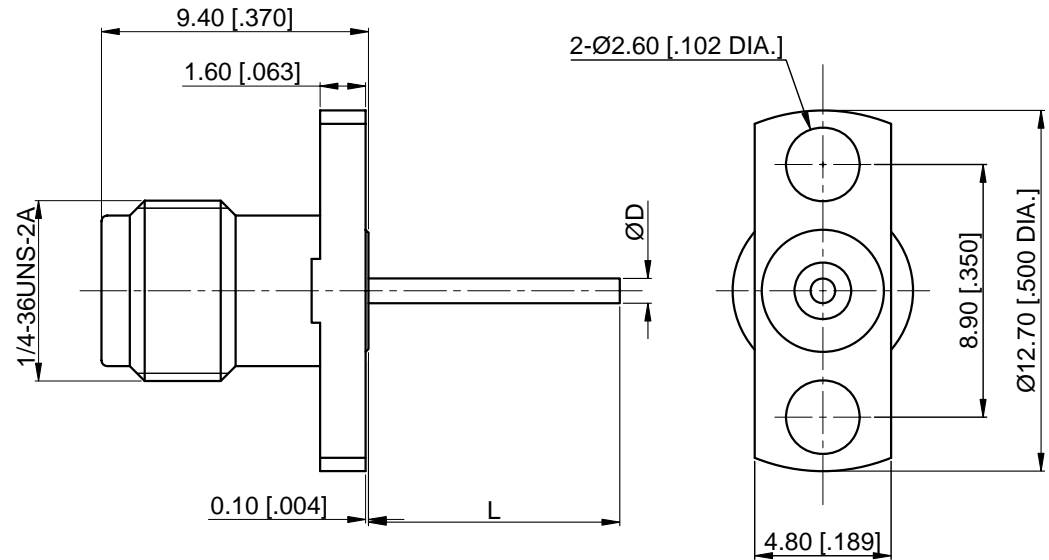
Temperature range	-55 °C ~ +165 °C
Durability (matings)	>500

■ Material data

Body	Stainless Steel (SU303), Passivated
Pin Contact	Beryllium Copper Alloy, Gold-plated
Insulator	PEI, PTFE

■ Interface Standards


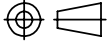
SMA	MIL-STD-348A
-----	--------------



Part Number	ØD PIN	L
60-02-9E2-131A	0.64 [0.025]	18 [0.709]
60-02-9E2-131B	0.87 [0.034]	26 [1.024]
60-02-9E2-131C	0.87 [0.034]	10.92 [0.430]

NOTES:

- ALL SPECIFICATIONS ARE SUBJECT TO CHANGE WITHOUT NOTICE AT ANY TIME
- CUSTOMER OUTLINE DRAWING FOR REFERENCE ONLY

DRAWN: H. Xiao 03/11/11	TITLE: SMA Straight Female, Air Line Through the Wall, 2 Hole Flange	 www.cmppter.com			
ENGINEER: YF. Zhu 03/11/11					
APPROVED: M. Dong 03/11/11		 DIMENSIONS IN MILLIMETERS (mm)			
TOLERANCE UNLESS OTHERWISE SPECIFIED					
X ±0.50 [0.019"]		SIZE: A4	SCALE: 4:1	SHEET: 1/1	REV: A
.X ±0.20 [0.008"]		PART No.: 60-02-9E2-131			
.XX ±0.10 [0.004"]					
ANGLES ±1°					