

REV	DESCRIPTION OF REVISION	ECN No.	BY	DATE	APPROVED
A	INITIAL RELEASE	—	H. Xiao	03/11/11	M. Dong

TECHNICAL DATA

■ Electrical data

Impedance	50 Ω
Frequency range	0~27 GHz
VSWR	1.10:1 (0~18GHz) 1.15:1 (18GHz~27GHz)
Contact resistance	
-centre contact	≤3mΩ
-outer contact	≤2mΩ
Insulation resistance	≥5000MΩ

■ Mechanical data

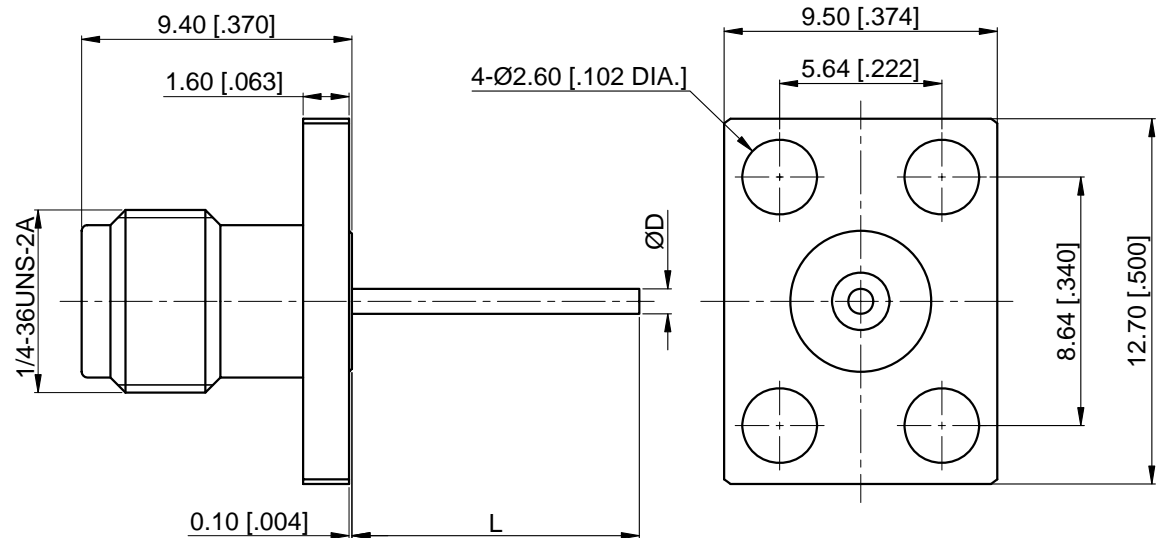
Temperature range	-55 °C ~ +165 °C
Durability (matings)	>500

■ Material data

Body	Stainless Steel (SU303), Passivated
Pin Contact	Beryllium Copper Alloy, Gold-plated
Insulator	PEI, PTFE

■ Interface Standards

SMA	MIL-STD-348A
-----	--------------



Part Number	ØD PIN	L
60-02-9F2-127A	0.64 [0.025]	18 [0.709]
60-02-9F2-127B	0.87 [0.034]	26 [1.024]
60-02-9F2-127C	0.87 [0.034]	10.92 [0.430]

NOTES:

- ALL SPECIFICATIONS ARE SUBJECT TO CHANGE WITHOUT NOTICE AT ANY TIME
- CUSTOMER OUTLINE DRAWING FOR REFERENCE ONLY

DRAWN: H. Xiao 03/11/11

ENGINEER: YF. Zhu 03/11/11

APPROVED: M. Dong 03/11/11

TOLERANCE UNLESS OTHERWISE SPECIFIED

X	±0.50 [0.019"]
.X	±0.20 [0.008"]
.XX	±0.10 [0.004"]
ANGLES	±1°

TITLE:

SMA Straight Female,
Air Line Through the Wall,
4 Hole Flange

PART No.: 60-02-9F2-127

CMPPTER®

www.cmppter.com



DIMENSIONS IN MILLIMETERS (mm)

SIZE:
A4

SCALE:
4:1

SHEET:
1/1

REV:
A