

TECHNICAL DATA

Electrical

Impedance	50 Ω
Frequency range	0~18 GHz
Withstanding voltage	1000 V
Insulation resistance	≥5000MΩ

Mechanical & Environmental

Durability (matings)	>500
Temperature range	-55 °C ~ +165 °C
RoHS Compliant	Yes

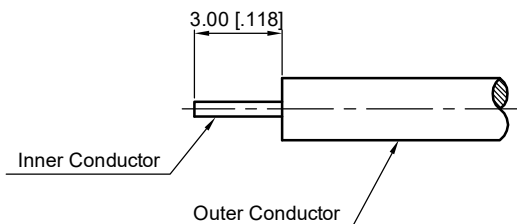
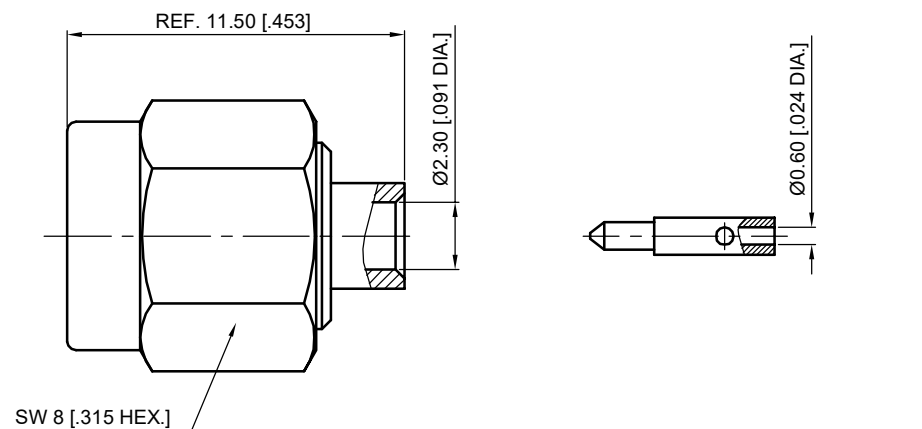
Material & Finish

Body	Brass, Gold-plated
Coupling Nut	Stainless Steel (SU303), Passivated
Pin Contact	Brass, Gold-plated
Insulator	PTFE
Gasket	Silicone rubber

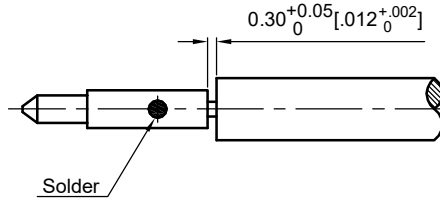
Interface Standards

SMA	IEC-60169
-----	-----------

REVISIONS				
REV	DESCRIPTION OF REVISION	ECN No.	DATE	APPROVED
A	INITIAL RELEASE	---	08/15/2007	M. Dong
B	STRUCTURE CHANGED	---	12/15/2017	M. Dong



CABLE STRIPPING DIMENSIONS



PIN CONTACT SOLDERING DIMENSION

- NOTES:
1. ALL SPECIFICATIONS ARE SUBJECT TO CHANGE WITHOUT NOTICE AT ANY TIME
 2. UNLESS OTHERWISE SPECIFIED ALL DIMENSIONS ARE NOMINAL.

UNLESS OTHERWISE SPECIFIED, DIMENSIONS ARE IN MILLIMETERS [INCHES]. UNLESS OTHERWISE SPECIFIED DIMENSIONAL TOLERANCES ARE: XX ±0.13 [.005"] X ±0.20 [.008"] X ±0.50 [.019"] ANGULAR TOLERANCES ARE: ALL= ±1° DO NOT SCALE DRAWING PROJECTION:	
--	--

DRAWN:	L. Ma	12/15/2017
CHECKED:	J. Zhu	12/15/2017
APPROVED:	M. Dong	12/15/2017

TITLE:
SMA Straight Male Solder for RG405/.085/.086 Cable



Cmppter Electronics Co., Ltd. www.cmppter.com

PART No.:
60-03-2M11-106

SIZE: A4	SCALE: 4:1	SHEET: 1/1	REV: B
-------------	---------------	---------------	-----------