

REV	DESCRIPTION OF REVISION	ECN No.	BY	DATE	APPROVED
A	INITIAL RELEASE	—	H. Xiao	03/05/11	M. Dong

TECHNICAL DATA

Electrical data

Impedance	50 Ω
Frequency range	0~27 GHz
VSWR	1.10:1 (0~18GHz) 1.15:1 (18GHz~27GHz)
Contact resistance	
-centre contact	≤3mΩ
-outer contact	≤2mΩ
Insulation resistance	≥5000MΩ

Mechanical data

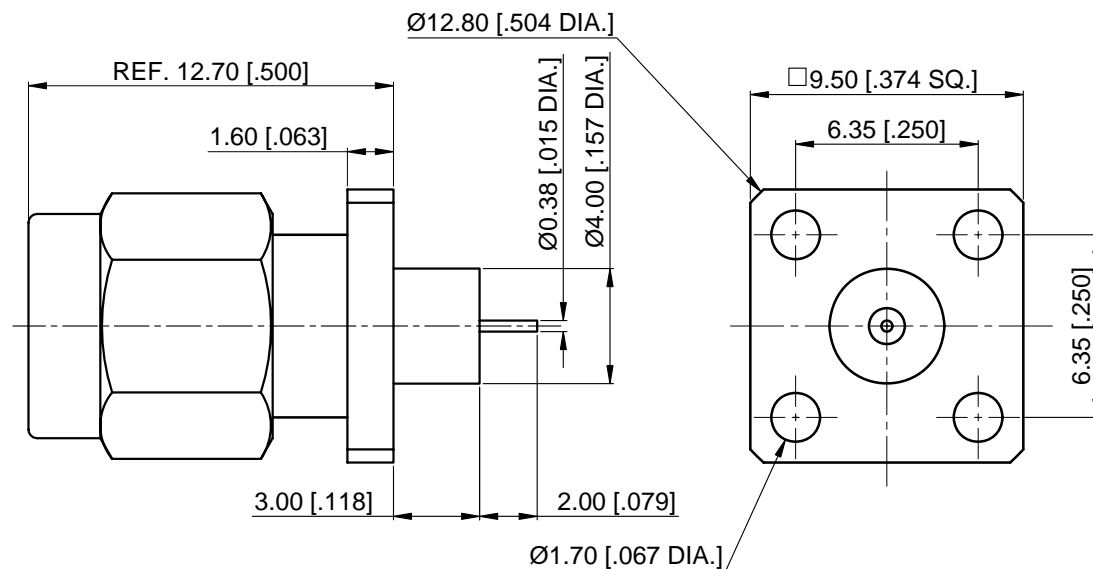
Temperature range	-55 °C ~ +165 °C
Durability (matings)	>500

Material data

Body	Stainless Steel (SU303), Passivated
Pin Contact	Beryllium Copper Alloy, Gold-plated
Insulator	PEI, PTFE



Interface Standards

SMA	MIL-STD-348A
-----	--------------



NOTES:

1. ALL SPECIFICATIONS ARE SUBJECT TO CHANGE WITHOUT NOTICE AT ANY TIME
2. CUSTOMER OUTLINE DRAWING FOR REFERENCE ONLY

DRAWN: H. Xiao 03/05/11	TITLE: SMA Straight Male, Metal Through the Wall, 4 Hole Flange	 www.cmppter.com			
ENGINEER: YF. Zhu 03/05/11					
APPROVED: M. Dong 03/05/11		 DIMENSIONS IN MILLIMETERS (mm)			
TOLERANCE UNLESS OTHERWISE SPECIFIED					
X ±0.50 [.019"]	PART No.: 60-03-9F2-108	SIZE: A4	SCALE: 4:1	SHEET: 1/1	REV: A
.X ±0.20 [.008"]					
.XX ±0.10 [.004"]					
ANGLES ±1°					