

TECHNICAL DATA

Electrical

| | |
|-----------------------|---------|
| Impedance | 50 Ω |
| Frequency range | 0~3 GHz |
| Withstanding voltage | 500 V |
| Insulation resistance | ≥5000MΩ |

Mechanical & Environmental

| | |
|----------------------|------------------|
| Durability (matings) | >500 |
| Temperature range | -55 °C ~ +165 °C |
| RoHS Compliant | Yes |

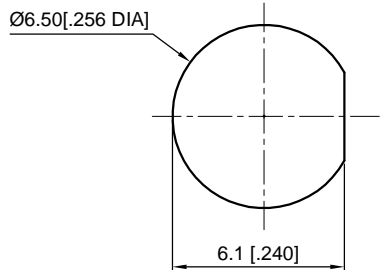
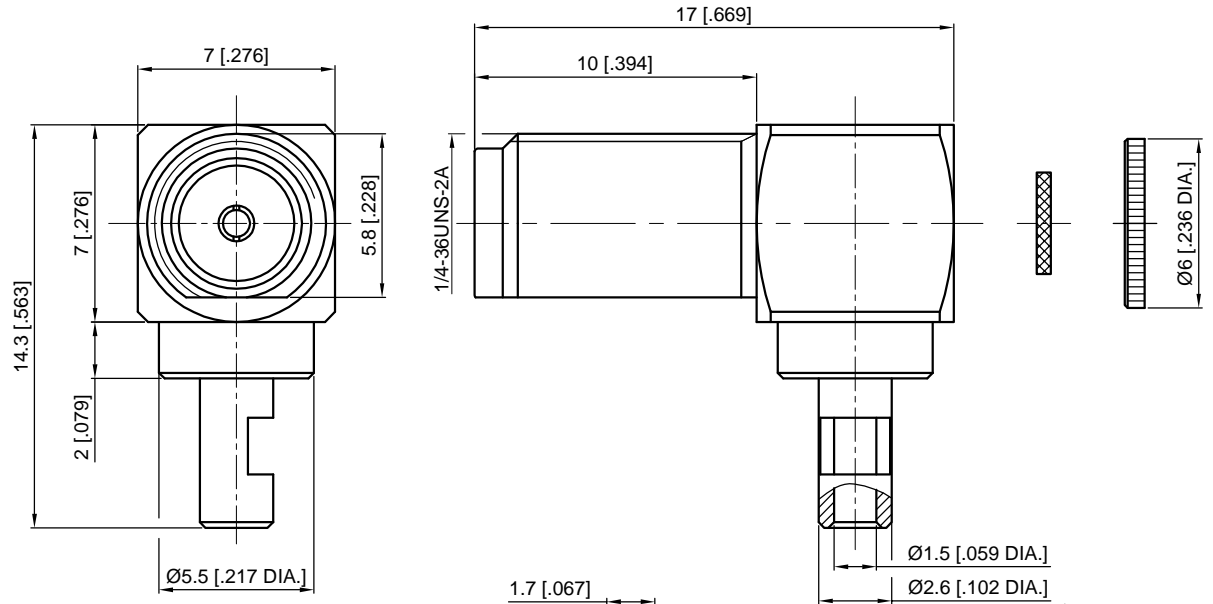
Material & Finish

| | |
|---------------|------------------------------|
| Body | Brass, Gold-plated |
| Pin Contact | Phosphor Bronze, Gold-plated |
| Fastening Nut | Brass, Gold-plated |
| Washer | Phosphor Bronze, Gold-plated |
| Insulator | PTFE |

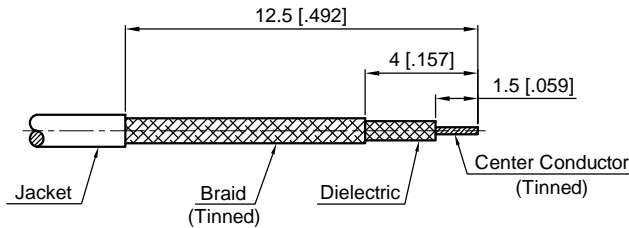
Interface Standards

| | |
|-----|-----------|
| SMA | IEC-60169 |
|-----|-----------|

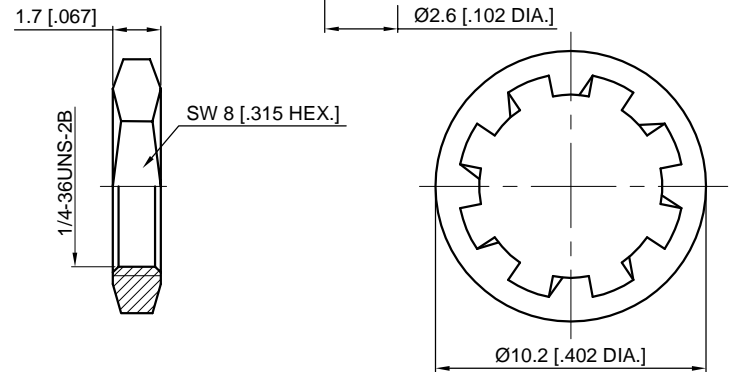
| REVISIONS | | | | |
|-----------|-------------------------|---------|------------|----------|
| REV | DESCRIPTION OF REVISION | ECN No. | DATE | APPROVED |
| A | INITIAL RELEASE | — | 11/29/2018 | M. Dong |



Recommended Mounting Hole



Recommended Cable Stripping Dimensions



NOTES:

- ALL SPECIFICATIONS ARE SUBJECT TO CHANGE WITHOUT NOTICE AT ANY TIME
- UNLESS OTHERWISE SPECIFIED ALL DIMENSIONS ARE NOMINAL.

| |
|--|
| UNLESS OTHERWISE SPECIFIED, DIMENSIONS ARE IN MILLIMETERS (INCHES). UNLESS OTHERWISE SPECIFIED DIMENSIONAL TOLERANCES ARE: .XX ±0.13 [0.005"] X ±0.20 [0.008"] X ±0.50 [0.019"] ANGULAR TOLERANCES ARE: ALL= ±1° DO NOT SCALE DRAWING PROJECTION: |
|--|

| | | |
|-----------|---------|------------|
| DRAWN: | L. Ma | 11/29/2018 |
| CHECKED: | J. Zhu | 11/29/2018 |
| APPROVED: | M. Dong | 11/29/2018 |

TITLE:
SMA Right Angle Bulkhead
Female Solder for RG178 Cable



Cmppter Electronics Co., Ltd. www.cmppter.com

PART No.:
60-12-2B12-322

| | | | |
|-------------|---------------|---------------|-----------|
| SIZE: A4 | SCALE: 4:1 | SHEET: 1/1 | REV: A |
|-------------|---------------|---------------|-----------|