

REVISIONS

REV	DESCRIPTION OF REVISION	ECN No.	DATE	APPROVED
A	INITIAL RELEASE		07/12/2018	M. Dong

TECHNICAL DATA

Electrical

Impedance 50 Ω
 Frequency range 0~6 GHz
 Withstanding voltage 500 V
 Insulation resistance ≥5000MΩ

Mechanical & Environmental

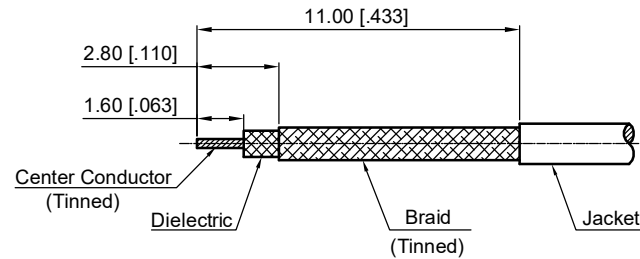
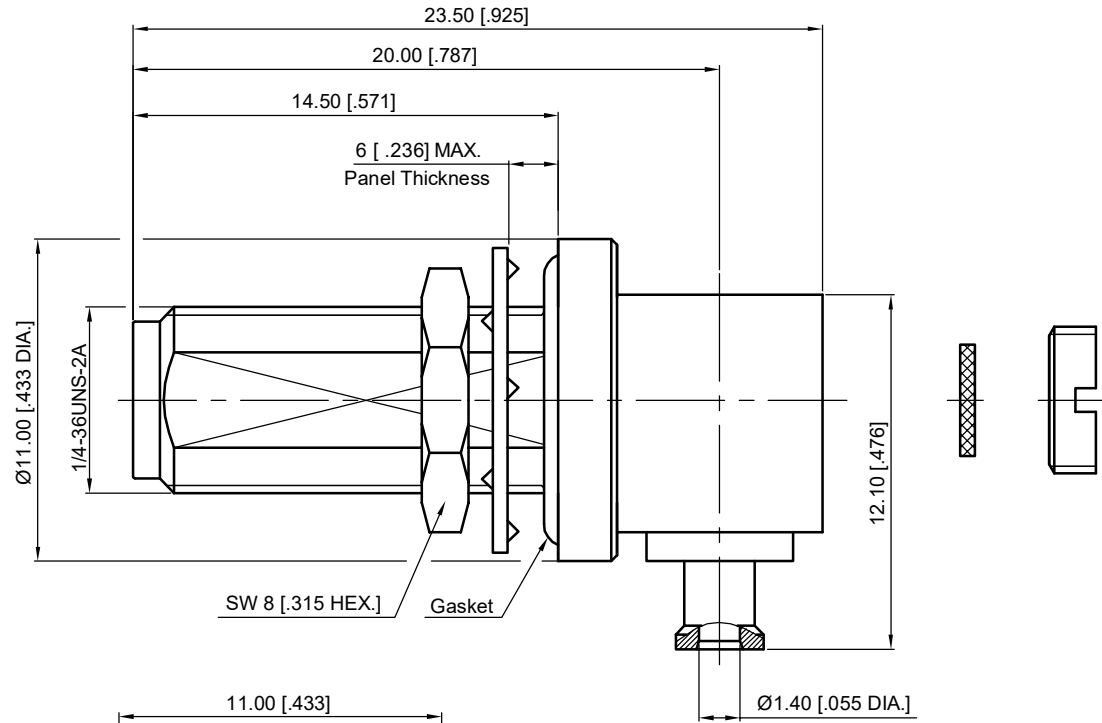
Durability (matings) >500
 Temperature range -55 °C ~ +165 °C
 RoHS Compliant Yes

Material & Finish

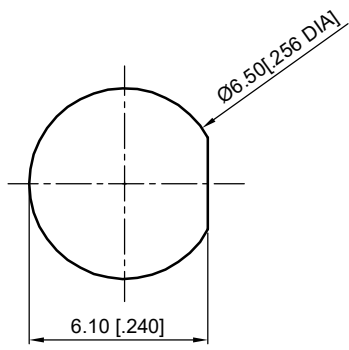
Body Brass, Gold-plated
 Pin Contact Beryllium Copper Alloy, Gold-plated
 Fastening Nut Brass, Gold-plated
 Washer Phosphor Bronze, Gold-plated
 Insulator PTFE

Interface Standards

SMA IEC-60169



Recommended Cable Stripping Dimensions



Recommended Mounting Hole

NOTES:

- ALL SPECIFICATIONS ARE SUBJECT TO CHANGE WITHOUT NOTICE AT ANY TIME
- UNLESS OTHERWISE SPECIFIED ALL DIMENSIONS ARE NOMINAL.

UNLESS OTHERWISE SPECIFIED, DIMENSIONS ARE IN MILLIMETERS (INCHES).
 UNLESS OTHERWISE SPECIFIED DIMENSIONAL TOLERANCES ARE:
 .XX ±0.13 [.005"]
 .X ±0.20 [.008"]
 X ±0.50 [.019"]
 ANGULAR TOLERANCES ARE: ALL= ±1°
 DO NOT SCALE DRAWING
 PROJECTION:

DRAWN:	L. Ma	07/12/2018
CHECKED:	J. Zhu	07/12/2018
APPROVED:	M. Dong	07/12/2018

TITLE:
SMA Right Angle Waterproof Bulkhead Female Solder for 1.37mm Cable



Cmppter Electronics Co., Ltd. www.cmppter.com

PART No.:
60-12-2D23-302

SIZE: A4	SCALE: 4:1	SHEET: 1/1	REV: A
-------------	---------------	---------------	-----------