

REVISIONS

REV	DESCRIPTION OF REVISION	ECN No.	DATE	APPROVED
A	INITIAL RELEASE	—	09/23/2014	M. Dong

TECHNICAL DATA

Electrical

Impedance 50 Ω
 Frequency range 0~6 GHz
 Withstanding voltage 1000 V
 Insulation resistance ≥5000MΩ

Mechanical & Environmental

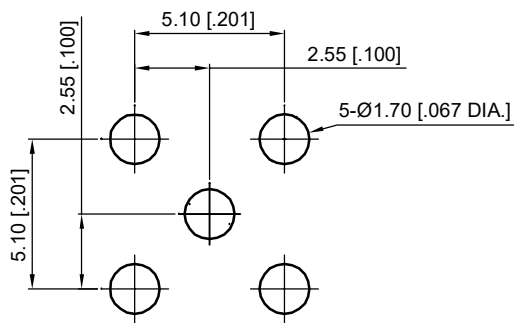
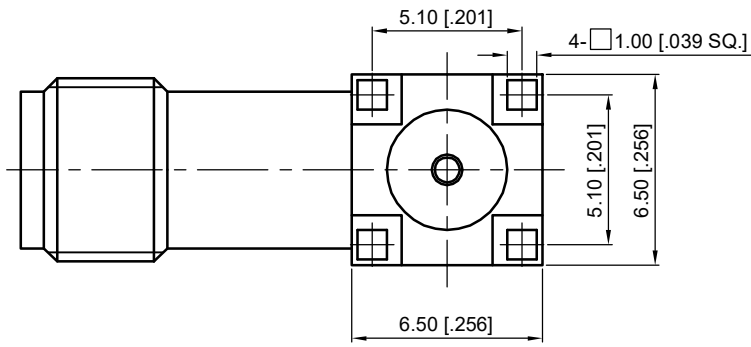
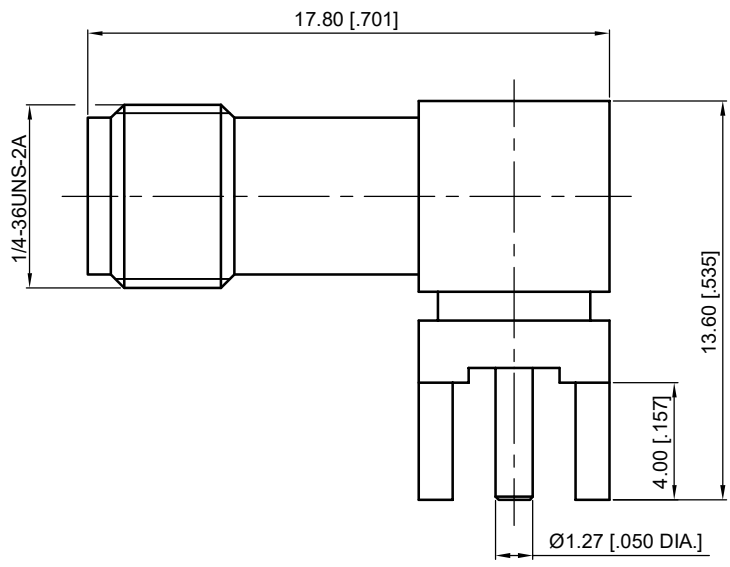
Durability (matings) >500
 Temperature range -55 °C ~ +165 °C
 RoHS Compliant Yes

Material & Finish

Body Brass, Gold-plated
 Pin Contact Phosphor Bronze, Gold-plated
 Insulator PTFE

Interface Standards

SMA IEC-60169



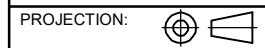
Recommended Mounting Hole

UNLESS OTHERWISE SPECIFIED, DIMENSIONS ARE IN MILLIMETERS (INCHES).
 UNLESS OTHERWISE SPECIFIED DIMENSIONAL TOLERANCES ARE:

- .XX ±0.13 [.005]
- X ±0.20 [.008]
- X ±0.50 [.019]

ANGULAR TOLERANCES ARE: ALL= ±1°

DO NOT SCALE DRAWING



DRAWN:	L. Ma	09/23/2014
CHECKED:	J. Zhu	09/23/2014
APPROVED:	M. Dong	09/23/2014

TITLE:
SMA Right Angle Female for PCB



Cmptter Electronics Co., Ltd. www.cmptter.com

PART No.:
60-12-5M2-192

SIZE: A4	SCALE: 4:1	SHEET: 1/1	REV: A
----------	------------	------------	--------

- NOTES:
- ALL SPECIFICATIONS ARE SUBJECT TO CHANGE WITHOUT NOTICE AT ANY TIME
 - UNLESS OTHERWISE SPECIFIED ALL DIMENSIONS ARE NOMINAL.