

TECHNICAL DATA

Electrical

Impedance	50 Ω
Frequency range	0~6 GHz
Withstanding voltage	1000 V
Insulation resistance	≥5x10 ³ MΩ

Mechanical & Environmental

Durability (matings)	>500
Temperature range	-55 °C ~ +165 °C
RoHS Compliant	Yes

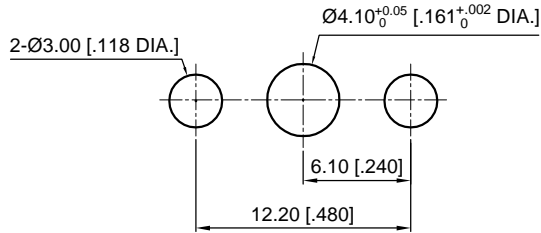
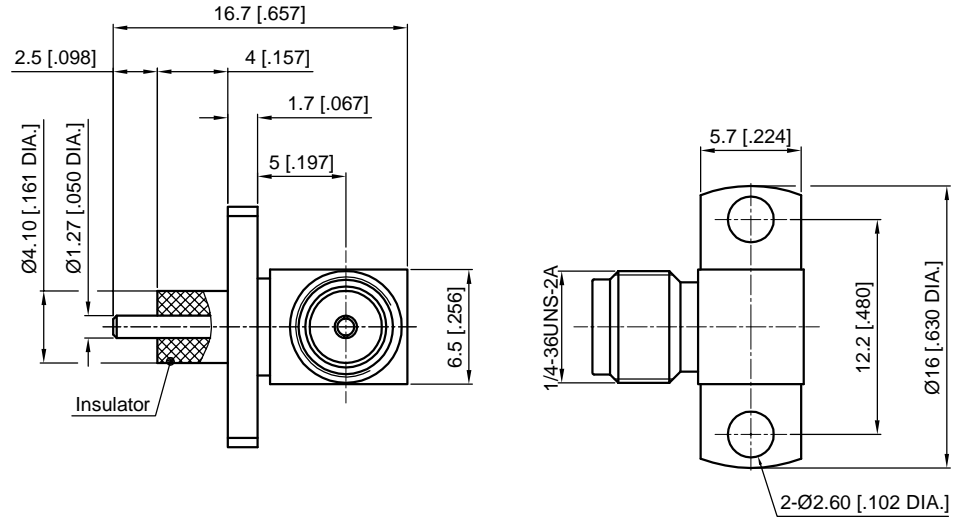
Material & Finish

Body	Brass, Gold-plated
Pin Contact	Beryllium Copper Alloy, Gold-plated
Insulator	PTFE

Interface Standards

SMA	IEC-60169
-----	-----------

REVISIONS				
REV	DESCRIPTION OF REVISION	ECN No.	DATE	APPROVED
A	INITIAL RELEASE	—	06/16/2020	M. Dong



Recommended Mounting Hole

NOTES:

- ALL SPECIFICATIONS ARE SUBJECT TO CHANGE WITHOUT NOTICE AT ANY TIME
- UNLESS OTHERWISE SPECIFIED ALL DIMENSIONS ARE NOMINAL.

UNLESS OTHERWISE SPECIFIED, DIMENSIONS ARE IN MILLIMETERS [INCHES]. UNLESS OTHERWISE SPECIFIED DIMENSIONAL TOLERANCES ARE: .XX ±0.13 [.005"] X ±0.20 [.008"] X ±0.50 [.019"] ANGULAR TOLERANCES ARE: ALL= ±1° DO NOT SCALE DRAWING PROJECTION:	DRAWN: L. Ma 06/16/2020 CHECKED: J. Zhu 06/16/2020 APPROVED: M. Dong 06/16/2020 TITLE: SMA Right Angle Female, 2 Hole Flange Mount
---	---

SIZE: A4	SCALE: 2.5:1	SHEET: 1/1	REV: A
----------	--------------	------------	--------

CMPPTER[®]
 Cmppter Electronics Co., Ltd. www.cmppter.com
 PART No.: **60-12-8E2-369**