

TECHNICAL DATA

Electrical

Impedance 50 Ω
 Frequency range 0~3 GHz
 Withstanding voltage 1000 V
 Insulation resistance $\geq 5 \times 10^3$ MΩ

Mechanical & Environmental

Durability (matings) >500
 Temperature range -55 °C ~ +165 °C
 RoHS Compliant Yes

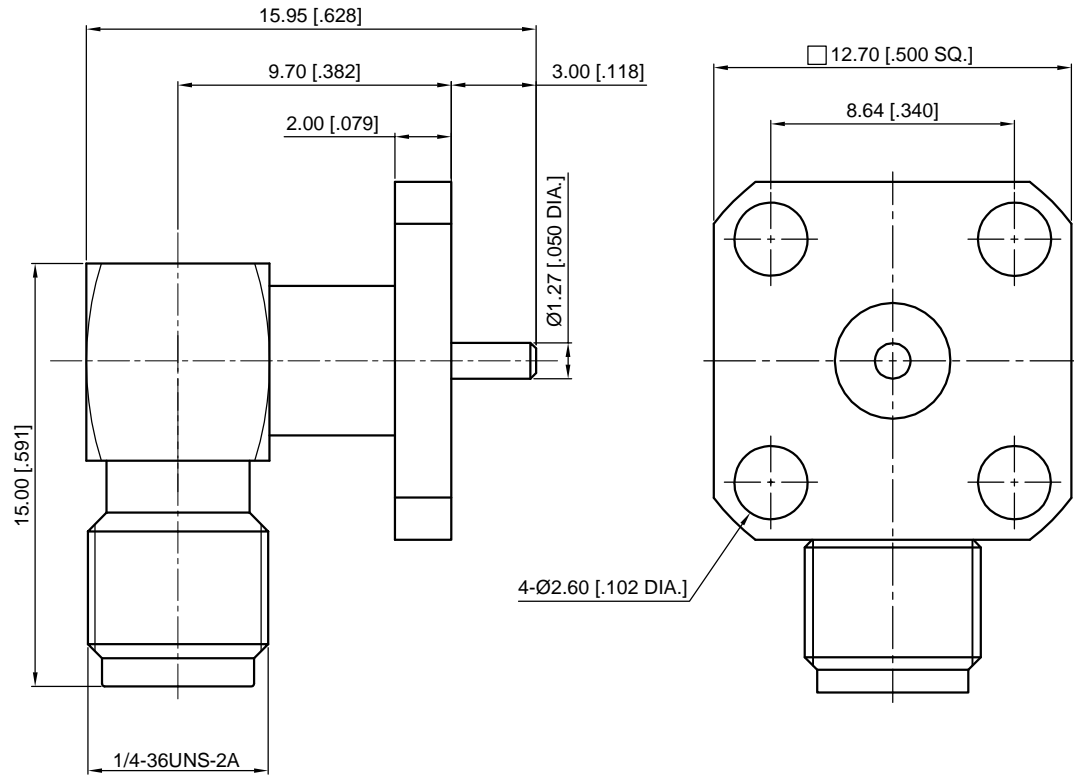
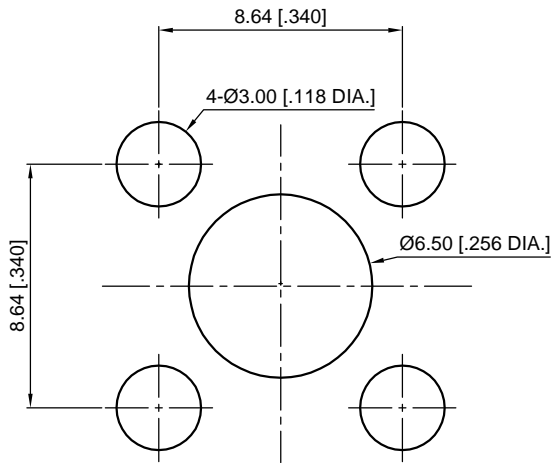
Material & Finish

Body Brass, Gold-plated
 Pin Contact Beryllium Copper Alloy, Gold-plated
 Insulator PTFE

Interface Standards

SMA IEC-60169

REVISIONS				
REV	DESCRIPTION OF REVISION	ECN No.	DATE	APPROVED
A	INITIAL RELEASE	—	05/06/2020	M. Dong



- NOTES:
- ALL SPECIFICATIONS ARE SUBJECT TO CHANGE WITHOUT NOTICE AT ANY TIME
 - UNLESS OTHERWISE SPECIFIED ALL DIMENSIONS ARE NOMINAL.

UNLESS OTHERWISE SPECIFIED, DIMENSIONS ARE IN MILLIMETERS [INCHES]. UNLESS OTHERWISE SPECIFIED DIMENSIONAL TOLERANCES ARE: .XX ±0.13 [0.005] X ±0.20 [0.008] X ±0.50 [0.019] ANGULAR TOLERANCES ARE: ALL= ±1°	DRAWN: L. Ma 05/06/2020
DO NOT SCALE DRAWING	CHECKED: J. Zhu 05/06/2020
PROJECTION:	APPROVED: M. Dong 05/06/2020

TITLE:	SMA Right Angle Female, 4 Hole Flange Mount
--------	--



Cmppter Electronics Co., Ltd. www.cmppter.com

PART No.: 60-12-8F7-366			
SIZE: A4	SCALE: 4:1	SHEET: 1/1	REV: A