

REV	DESCRIPTION OF REVISION	ECN No.	BY	DATE	APPROVED
A	INITIAL RELEASE	—	L. Ma	04/15/07	M. Dong
B	DIMENSIONS CHANGED	—	L. Ma	03/25/14	M. Dong

TECHNICAL DATA

Electrical data

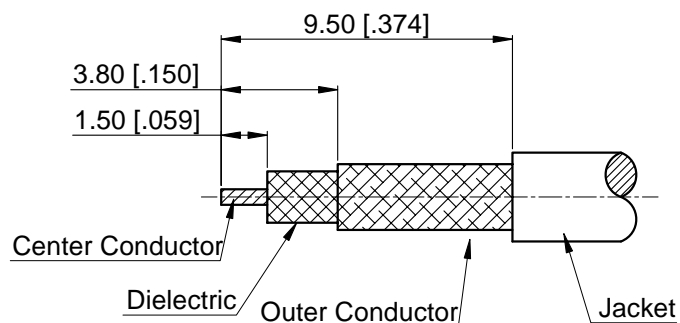
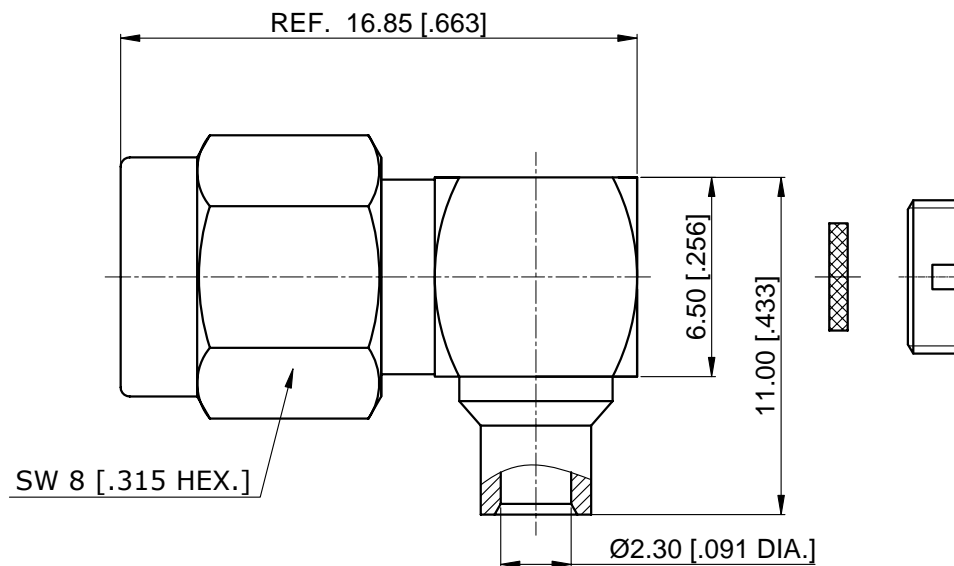
Impedance	50 Ω
Frequency range	0~6 GHz
Insulation resistance	≥5x10 ³ MΩ
Withstanding voltage	500 V

Mechanical data

Temperature range	-60 °C ~ +165 °C
Durability (matings)	>500

Material data


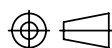
Bodies	Brass, Gold-plated
Pin Contact	Brass, Gold-plated
Coupling Nut	Brass, Gold-plated
Insulator	PTFE
Gasket	Silicone rubber



Cable Stripping Dimensions

NOTES:

- ALL SPECIFICATIONS ARE SUBJECT TO CHANGE WITHOUT NOTICE AT ANY TIME
- CUSTOMER OUTLINE DRAWING FOR REFERENCE ONLY

DRAWN: L. Ma 03/25/14	TITLE:	 www.cmppter.com			
ENGINEER: J. Zhu 03/25/14	SMA Right Angle Male Solder for RG405/ .086 Cable				
APPROVED: M. Dong 03/25/14		 DIMENSIONS IN MILLIMETERS (mm)			
TOLERANCE UNLESS OTHERWISE SPECIFIED	PART No.: 60-13-2M11-019			SIZE: A4	SCALE: 4:1
X ±0.50 [.019"]					
.X ±0.20 [.008"]					
.XX ±0.10 [.004"]					
ANGLES ±1°					