

# TECHNICAL DATA

## Electrical

|                       |          |
|-----------------------|----------|
| Impedance             | 50 Ω     |
| Frequency range       | 0~18 GHz |
| VSWR                  | ≤1.30    |
| Withstanding voltage  | 500 V    |
| Insulation resistance | ≥5000MΩ  |

## Mechanical & Environmental

|                      |                  |
|----------------------|------------------|
| Durability (matings) | >500             |
| Temperature range    | -55 °C ~ +165 °C |
| RoHS Compliant       | Yes              |

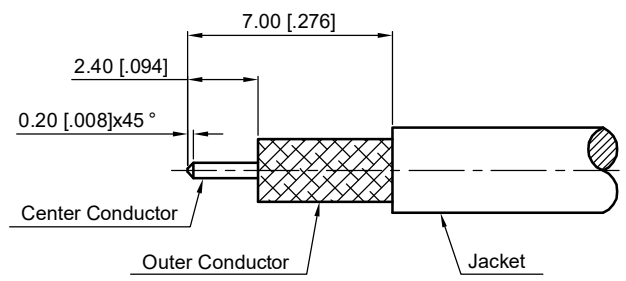
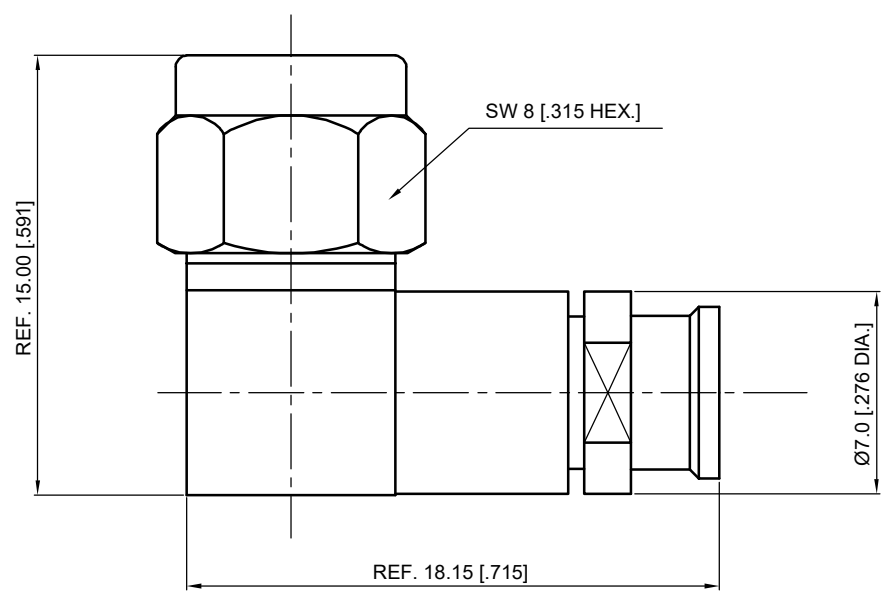
## Material & Finish

|              |                                     |
|--------------|-------------------------------------|
| Body         | Stainless Steel, Passivated         |
| Pin Contact  | Beryllium Copper Alloy, Gold-plated |
| Coupling Nut | Stainless Steel, Passivated         |
| Insulator    | PTFE                                |
| Gasket       | Silicone Rubber                     |

## Interface Standards

|     |           |
|-----|-----------|
| SMA | IEC-60169 |
|-----|-----------|

| REVISIONS |                         |         |            |          |
|-----------|-------------------------|---------|------------|----------|
| REV       | DESCRIPTION OF REVISION | ECN No. | DATE       | APPROVED |
| A         | INITIAL RELEASE         | —       | 04/16/2018 | M. Dong  |
| B         | DIMENSIONS CHANGED      | —       | 11/02/2018 | M. Dong  |



Recommended Cable Stripping Dimensions

- NOTES:
- ALL SPECIFICATIONS ARE SUBJECT TO CHANGE WITHOUT NOTICE AT ANY TIME
  - UNLESS OTHERWISE SPECIFIED ALL DIMENSIONS ARE NOMINAL.

|  |
|--|
| UNLESS OTHERWISE SPECIFIED, DIMENSIONS ARE IN MILLIMETERS (INCHES).<br>UNLESS OTHERWISE SPECIFIED DIMENSIONAL TOLERANCES ARE:<br>.XX ±0.13 [.005"]<br>.X ±0.20 [.008"]<br>X ±0.50 [.019"]<br>ANGULAR TOLERANCES ARE: ALL= ±1°<br>DO NOT SCALE DRAWING<br>PROJECTION: |
|--|

|   |         |            |
|---|---------|------------|
| DRAWN:  | L. Ma   | 11/02/2018 |
| CHECKED:  | J. Zhu  | 11/02/2018 |
| APPROVED:   | M. Dong | 11/02/2018 |
| TITLE:<br>SMA Right Angle Male Solder for<br>CTFC-400/CTFD-141/141/RG402<br>Cable |         |            |

**CMPPTER**®  
Cmppter Electronics Co., Ltd. [www.cmppter.com](http://www.cmppter.com)

PART No.:  
**60-13-2M62-306**

|             |               |               |           |
|-------------|---------------|---------------|-----------|
| SIZE:<br>A4 | SCALE:<br>4:1 | SHEET:<br>1/1 | REV:<br>B |
|-------------|---------------|---------------|-----------|