

# TECHNICAL DATA

## Electrical

Impedance 50 Ω  
 Frequency range 0~3 GHz  
 Withstanding voltage 750V  
 Insulation resistance ≥5000MΩ

## Mechanical & Environmental

Durability (matings) >500  
 Temperature range -55 °C ~ +165 °C  
 RoHS Compliant Yes

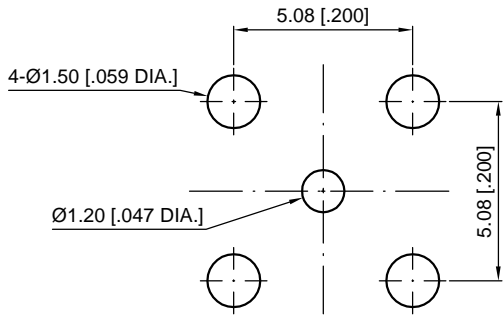
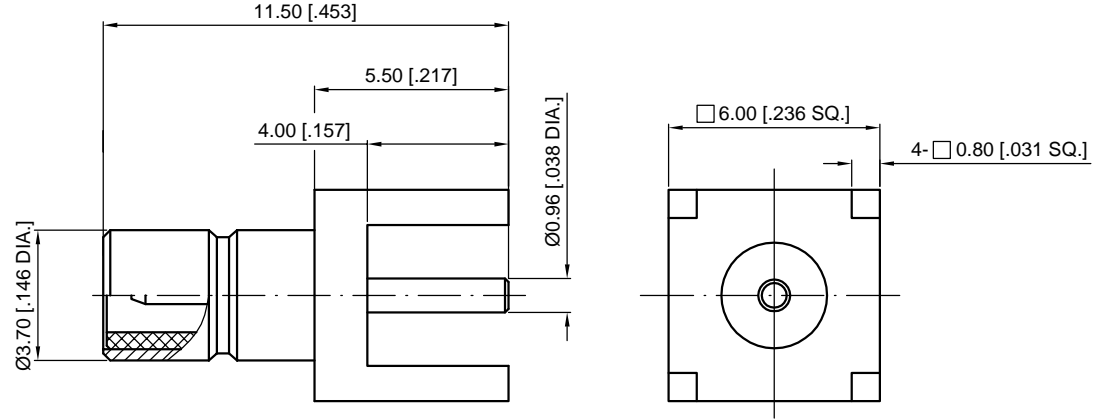
## Material & Finish

Body Brass, Gold-plated  
 Pin Contact Brass, Gold-plated  
 Insulator PTFE

## Interface Standards

SMB IEC-60169

REVISIONS				
REV	DESCRIPTION OF REVISION	ECN No.	DATE	APPROVED
A	INITIAL RELEASE	---	05/17/2013	M. Dong
B	MOUNTING HOLE CORRECTED	---	04/04/2018	M. Dong



Recommended Mounting Holes

- NOTES:
- ALL SPECIFICATIONS ARE SUBJECT TO CHANGE WITHOUT NOTICE AT ANY TIME
  - UNLESS OTHERWISE SPECIFIED ALL DIMENSIONS ARE NOMINAL.

UNLESS OTHERWISE SPECIFIED, DIMENSIONS ARE IN MILLIMETERS (INCHES). UNLESS OTHERWISE SPECIFIED DIMENSIONAL TOLERANCES ARE: .XX ±0.13 [.005"] X ±0.20 [.008"] X ±0.50 [.019"] ANGULAR TOLERANCES ARE: ALL= ±1° DO NOT SCALE DRAWING PROJECTION:	
---	--

DRAWN:	L. Ma	04/04/2018
CHECKED:	J. Zhu	04/04/2018
APPROVED:	M. Dong	04/04/2018

TITLE:  
**SMB Straight Jack (Male Center Contact) for PCB**

**CMPPTER**®  
 Cmppter Electronics Co., Ltd. [www.cmppter.com](http://www.cmppter.com)

PART No.:  
**70-02-5L2-006**

SIZE: A4	SCALE: 5:1	SHEET: 1/1	REV: B
-------------	---------------	---------------	-----------