

REV	DESCRIPTION OF REVISION	ECN No.	BY	DATE	APPROVED
A	INITIAL RELEASE	—	H. Xiao	10/29/10	10/29/10

TECHNICAL DATA

Electrical data

Impedance	50 Ω
Frequency range	0~40 GHz
VSWR	1.20:1
Contact resistance	
-centre contact	≤5mΩ
-outer contact	≤2.5mΩ
Insulation resistance	≥1000MΩ

Mechanical data

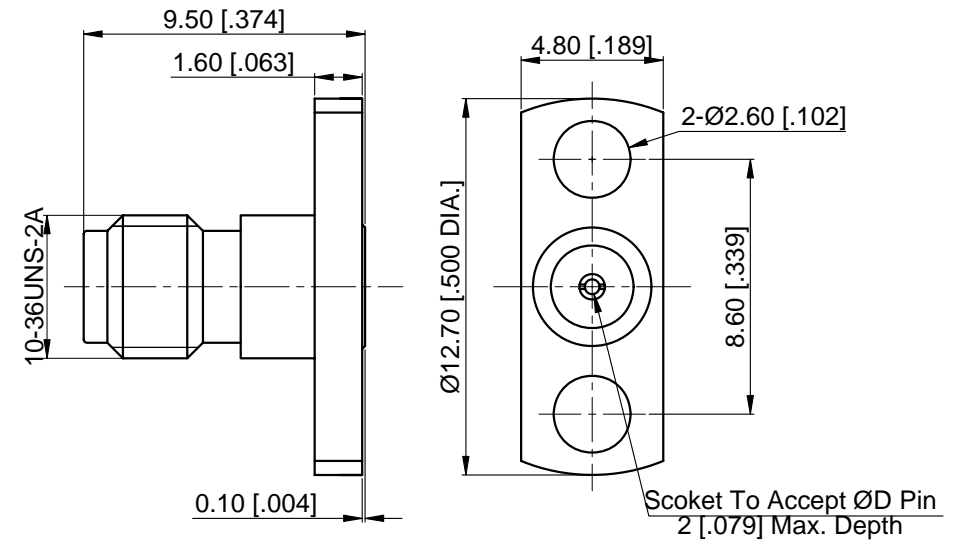
Temperature range	-55 °C ~ +165 °C
Durability (matings)	>500

Material data

Body	Stainless Steel (SU303), Passivated
Pin Contact	Beryllium Copper Alloy, Gold-plated
Insulator	PEI, PTFE

Interface Standards


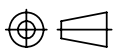
SSMA	MIL-STD-348A
------	--------------



Part Number	D
D60-02-9E5-002A	0.23 [.009]
D60-02-9E5-002B	0.30 [.012]
D60-02-9E5-002C	0.38 [.015]
D60-02-9E5-002D	0.46 [.018]
D60-02-9E5-002E	0.51 [.020]

NOTES:

- ALL SPECIFICATIONS ARE SUBJECT TO CHANGE WITHOUT NOTICE AT ANY TIME
- CUSTOMER OUTLINE DRAWING FOR REFERENCE ONLY

DRAWN: H. Xiao 10/29/10	TITLE:	 www.cmppter.com
ENGINEER: YF. Zhu 10/29/10	SSMA Straight Female, 2 Hole Flange, Accept Pin	
APPROVED: M. Dong 10/29/10		
TOLERANCE UNLESS OTHERWISE SPECIFIED		 DIMENSIONS IN MILLIMETERS (mm)
X ±0.50 [.019"] .X ±0.20 [.008"] .XX ±0.10 [.004"] ANGLES ±1°	PART No.: D60-02-9E5-002	SIZE: A4 SCALE: 4:1 SHEET: 1/1 REV: A