

REV	DESCRIPTION OF REVISION	ECN No.	BY	DATE	APPROVED
A	INITIAL RELEASE	—	H. Xiao	04/21/07	M. Dong
B	PART NUMBER CHANGED	—	L. Ma	06/15/10	M. Dong

TECHNICAL DATA

Electrical data

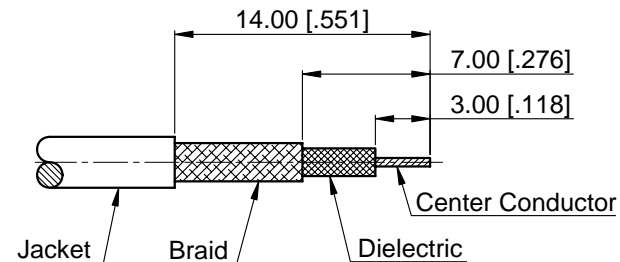
Impedance	50 Ω
Frequency range	0~6 GHz
VSWR	≤1.50
Insulation resistance	≥5×10 ³ MΩ
Withstanding voltage	1000 V

Mechanical data

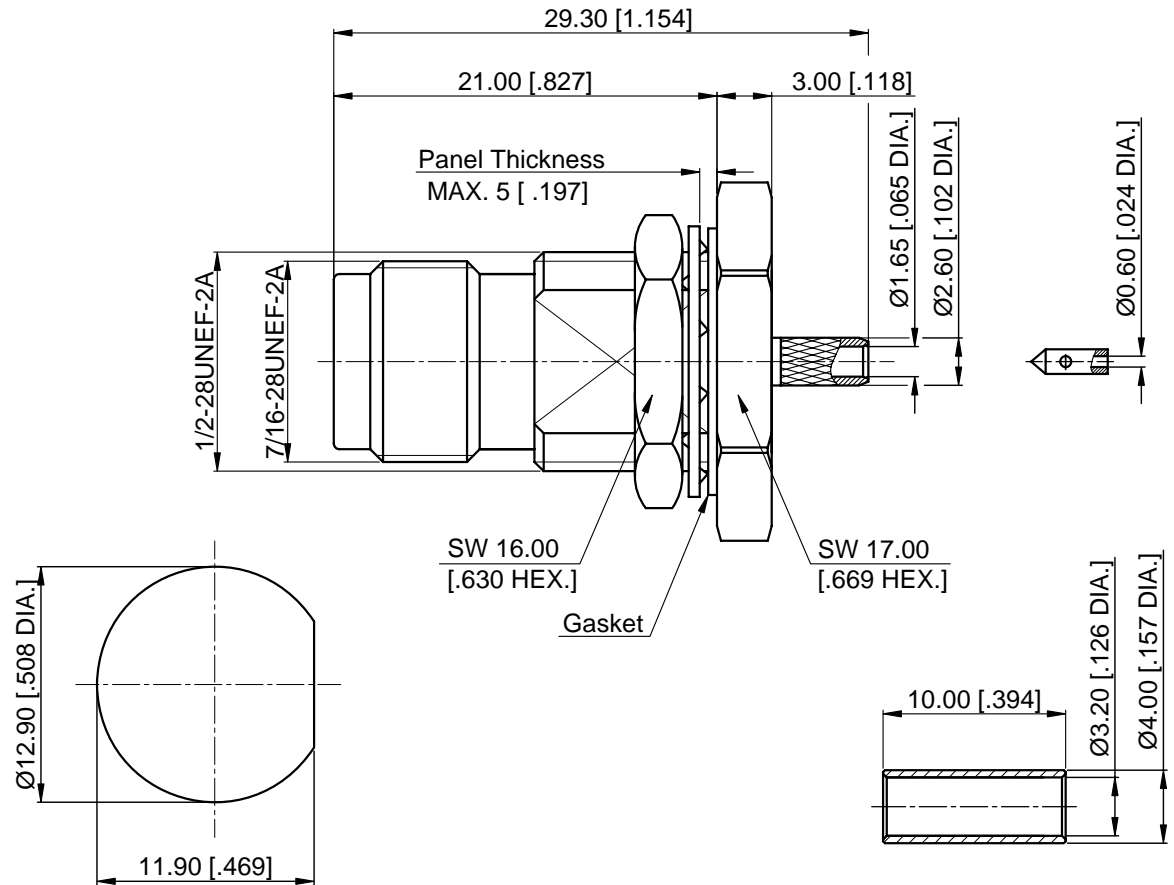
Temperature range	-65 °C ~ +165 °C
Durability (matings)	>500

Material data

Body	Brass, Nickel-plated
Pin Contact	Phosphor Bronze, Gold-plated
Crimp Ferrule	Copper, Nickel-plated
Insulator	PTFE
Gasket	Silicone Rubber



Cable Stripping Dimensions


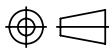


Recommended Mounting Hole

1. CRIMP FERRULE
HEX.CRIMP TOOL SIZE: 3.25 [.128]

NOTES:

- ALL SPECIFICATIONS ARE SUBJECT TO CHANGE WITHOUT NOTICE AT ANY TIME
- CUSTOMER OUTLINE DRAWING FOR REFERENCE ONLY

DRAWN: L. Ma 08/15/10	TITLE:	 www.cmppter.com			
ENGINEER: J. Zhu 08/15/10	TNC Straight Waterproof Bulkhead Female Crimp for LMR100/RG174/RG316 Cable				
APPROVED: M. Dong 08/15/10		 DIMENSIONS IN MILLIMETERS (mm)			
TOLERANCE UNLESS OTHERWISE SPECIFIED					
X ±0.50 [.019"] .X ±0.20 [.008"] .XX ±0.10 [.004"] ANGLES ±1°	PART No.: 80-02-1D00-015	SIZE: A4	SCALE: 2.5:1	SHEET: 1/1	REV: B