

REV	DESCRIPTION OF REVISION	ECN No.	BY	DATE	APPROVED
A	INITIAL RELEASE	—	H. Xiao	04/25/07	M. Dong
B	PART NUMBER CHANGED	—	L. Ma	03/12/10	M. Dong

TECHNICAL DATA

Electrical data

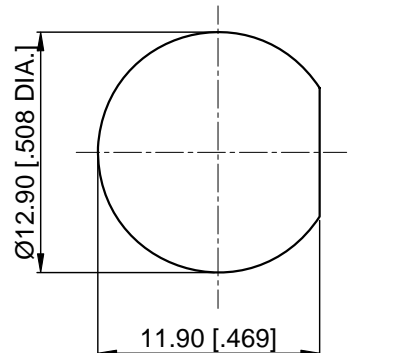
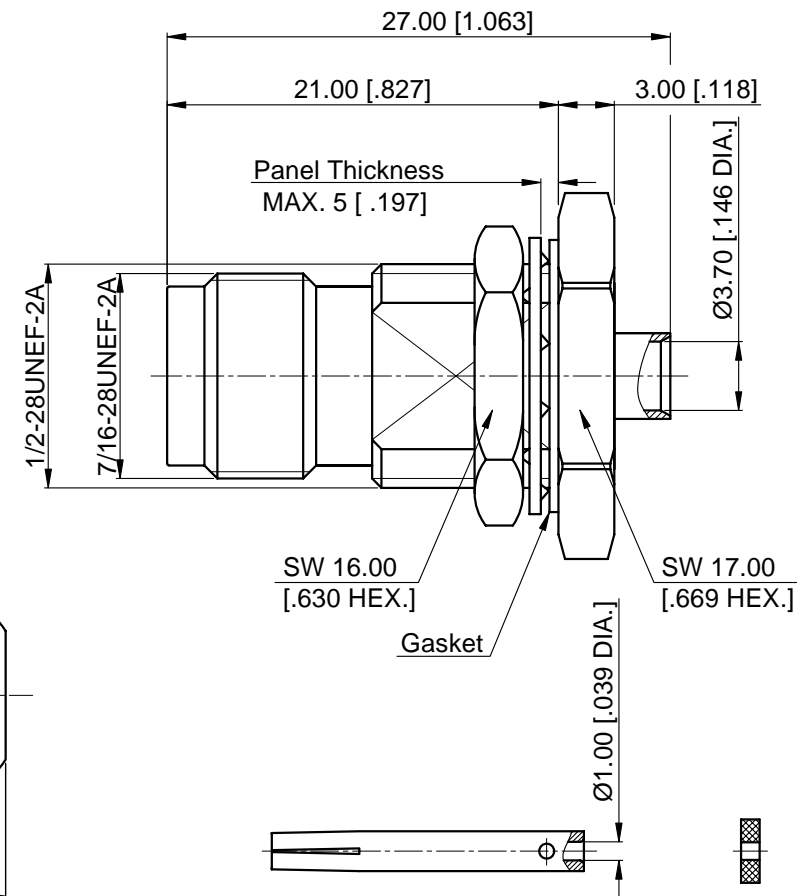
Impedance	50 Ω
Frequency range	0~6 GHz
Insulation resistance	≥5×10 ³ MΩ
Withstanding voltage	1000 V

Mechanical data

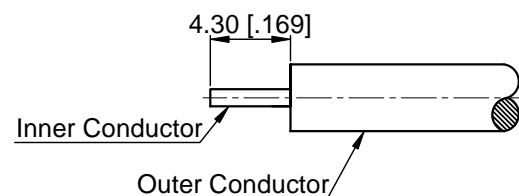
Temperature range	-65 °C ~ +165 °C
Durability (matings)	>500

Material data

Body	Brass, Nickel-plated
Pin Contact	Phosphor Bronze, Gold-plated
Nut	Brass, Nickel-plated
Insulator	PTFE
Gasket	Silicone Rubber




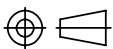
Recommended Mounting Hole



Cable Stripping Dimensions

NOTES:

- ALL SPECIFICATIONS ARE SUBJECT TO CHANGE WITHOUT NOTICE AT ANY TIME
- CUSTOMER OUTLINE DRAWING FOR REFERENCE ONLY

DRAWN: L. Ma 03/12/10	TITLE:	 www.cmppter.com			
ENGINEER: J. Zhu 03/12/10	TNC Straight Waterproof Bulkhead Female Solder for .141/RG402 Cable				
APPROVED: M. Dong 03/12/10		 DIMENSIONS IN MILLIMETERS (mm)			
TOLERANCE UNLESS OTHERWISE SPECIFIED	PART No.: 80-02-2D06-016				SIZE: A4
X ±0.50 [.019"]					
.X ±0.20 [.008"]					
.XX ±0.10 [.004"]					
ANGLES ±1°					