

| REV | DESCRIPTION OF REVISION | ECN No. | BY | DATE | APPROVED |
|-----|-------------------------|---------|---------|----------|----------|
| A | INITIAL RELEASE | — | H. Xiao | 04/20/07 | M. Dong |
| B | STRUCTURE CHANGED | — | H. Xiao | 02/20/12 | M. Dong |

TECHNICAL DATA

Electrical data

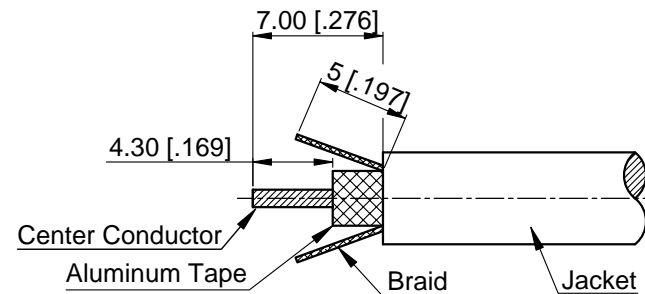
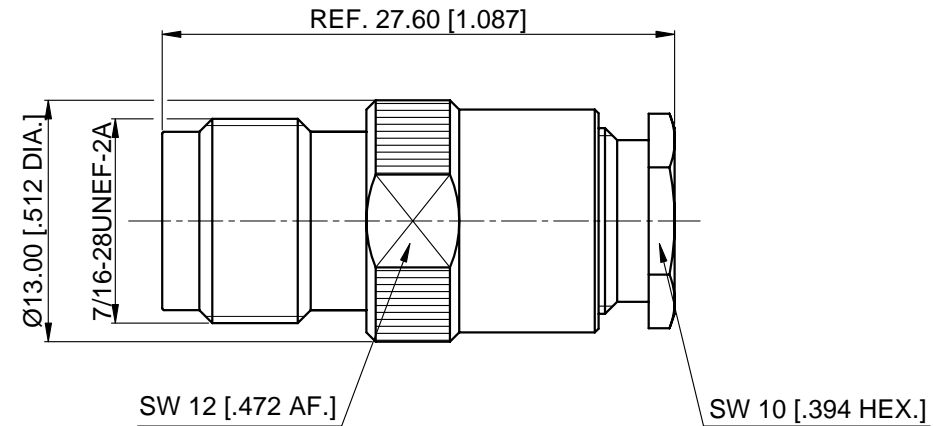
| | |
|-----------------------|-----------------------|
| Impedance | 50 Ω |
| Frequency range | 0~6 GHz |
| Insulation resistance | ≥5x10 ³ MΩ |
| Withstanding voltage | 1000 V |

Mechanical data

| | |
|----------------------|------------------|
| Temperature range | -65 °C ~ +165 °C |
| Durability (matings) | >500 |

Material data


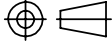
| | |
|-------------|------------------------------|
| Body | Brass, Nickel-plated |
| Pin Contact | Phosphor Bronze, Gold-plated |
| Back Nut | Brass, Nickel-plated |
| Insulator | PTFE |
| Gasket | Silicone Rubber |



Cable Stripping Dimensions

NOTES:

- ALL SPECIFICATIONS ARE SUBJECT TO CHANGE WITHOUT NOTICE AT ANY TIME
- CUSTOMER OUTLINE DRAWING FOR REFERENCE ONLY

| | | | | | |
|--------------------------------------|---|---|--|--|----------|
| DRAWN: H. Xiao 02/20/12 | TITLE: |  www.cmpter.com | | | |
| ENGINEER: J. Zhu 02/20/12 | TNC Straight Female Clamp for RG58/LMR195 Cable | | | | |
| APPROVED: M. Dong 02/20/12 | |  DIMENSIONS IN MILLIMETERS (mm) | | | |
| TOLERANCE UNLESS OTHERWISE SPECIFIED | PART No.: 80-02-4M18-014 | | | | SIZE: A4 |
| X ±0.50 [.019"] | | | | | |
| .X ±0.20 [.008"] | | | | | |
| .XX ±0.10 [.004"] | | | | | |
| ANGLES ±1° | | | | | |