

| REV | DESCRIPTION OF REVISION | ECN No. | BY      | DATE     | APPROVED |
|-----|-------------------------|---------|---------|----------|----------|
| A   | INITIAL RELEASE         | —       | H. Xiao | 02/16/07 | M. Dong  |
| B   | PART NUMBER CHANGED     | —       | L. Ma   | 05/08/09 | M. Dong  |
| C   | DIMENSIONS CHANGED      | —       | L. Ma   | 11/03/10 | M. Dong  |

## TECHNICAL DATA

### Electrical data

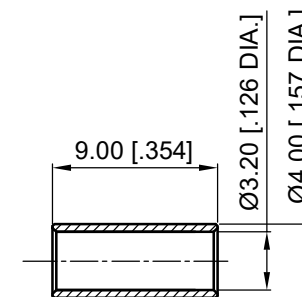
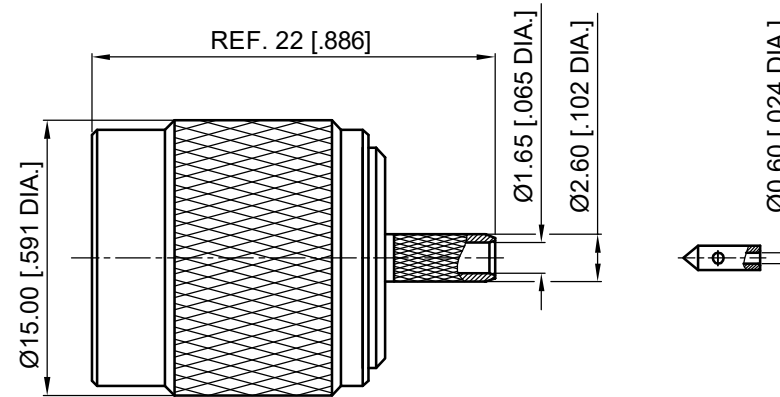
|                       |                       |
|-----------------------|-----------------------|
| Impedance             | 50 Ω                  |
| Frequency range       | 0~6 GHz               |
| Insulation resistance | ≥5x10 <sup>3</sup> MΩ |
| Withstanding voltage  | 1000 V                |

### Mechanical data

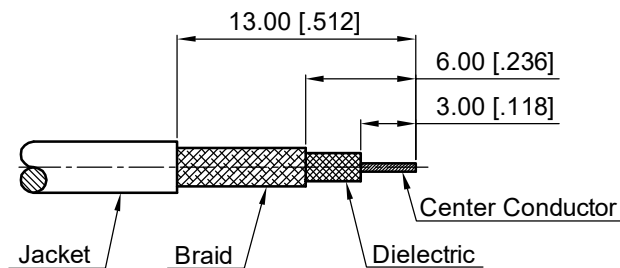
|                      |                  |
|----------------------|------------------|
| Temperature range    | -65 °C ~ +165 °C |
| Durability (matings) | >500             |

### Material data

|               |                                      |
|---------------|--------------------------------------|
| Body          | Brass, Nickel-plated                 |
| Pin Contact   | Phosphor Bronze & Brass, Gold-plated |
| Coupling Nut  | Brass, Nickel-plated                 |
| Crimp Ferrule | Copper, Nickel-plated                |
| Insulator     | PTFE                                 |
| Gasket        | Silicone Rubber                      |




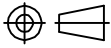
1. CRIMP FERRULE  
HEX.CRIMP TOOL SIZE: 3.25 [.128]



Cable Stripping Dimensions

#### NOTES:

- ALL SPECIFICATIONS ARE SUBJECT TO CHANGE WITHOUT NOTICE AT ANY TIME
- CUSTOMER OUTLINE DRAWING FOR REFERENCE ONLY

|                                      |  |  |  |          |              |
|--------------------------------------|--|--|--|----------|--------------|
| DRAWN: L. Ma 11/03/10                | TITLE:   | <br>www.cmppter.com             |  |          |              |
| ENGINEER: J. Zhu 11/03/10            | TNC Straight Male Crimp<br>for RG316/LMR100/RG174<br>Cable |  |  |          |              |
| APPROVED: M. Dong 11/03/10           |  |  DIMENSIONS IN MILLIMETERS (mm) |  |          |              |
| TOLERANCE UNLESS OTHERWISE SPECIFIED | PART No.: 80-03-1M00-002                                   |  |  | SIZE: A4 | SCALE: 2.5:1 |
| X ±0.50 [.019"]                      |  |  |  |          |              |
| .X ±0.20 [.008"]                     |  |  |  |          |              |
| .XX ±0.10 [.004"]                    |  |  |  |          |              |
| ANGLES ±1°                           |  |  |  |          |              |