

REVISIONS				
REV	DESCRIPTION OF REVISION	ECN No.	DATE	APPROVED
A	INITIAL RELEASE	---	02/19/2007	M. Dong
B	STRUCTURE CHANGED	---	06/12/2014	M. Dong

TECHNICAL DATA

Electrical

Impedance	50 Ω
Frequency range	0~6 GHz
VSWR	≤1.50
Withstanding voltage	1000 V
Insulation resistance	≥5x10 ³ MΩ

Mechanical & Environmental

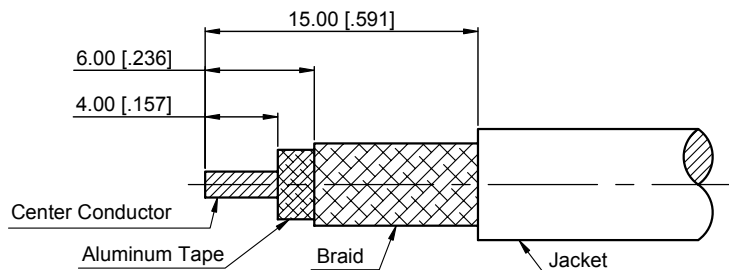
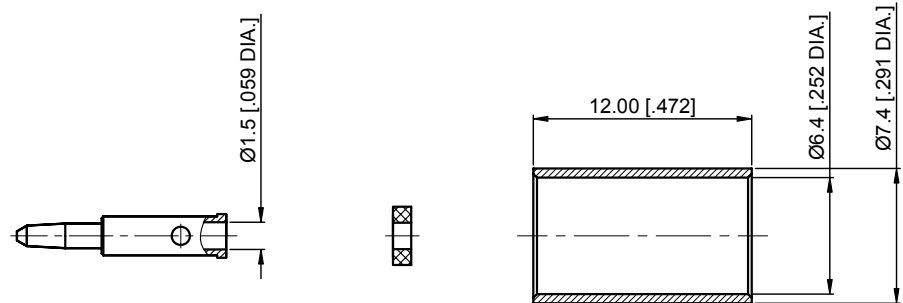
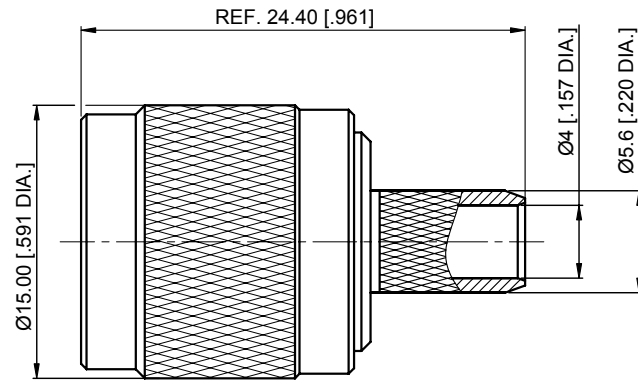
Durability (matings)	>500
Temperature range	-55 °C ~ +165 °C
RoHS Compliant	Yes

Material & Finish

Body	Brass,Nickel-plated
Pin Contact	Brass,Gold-plated
Coupling Nut	Brass,Nickel-plated
Crimp Ferrule	Copper, Nickel-plated
Insulator	PTFE
Gasket	Silicone Rubber

Interface Standards

TNC	IEC-60169
-----	-----------



Cable Stripping Dimensions

1. CRIMP FERRULE
HEX. CRIMP TOOL SIZE : 6.48 [.255]
2. CRIMP PIN CONTACT
HEX. CRIMP TOOL SIZE : 2 [.079]

NOTES:

1. ALL SPECIFICATIONS ARE SUBJECT TO CHANGE WITHOUT NOTICE AT ANY TIME
2. UNLESS OTHERWISE SPECIFIED ALL DIMENSIONS ARE NOMINAL.

UNLESS OTHERWISE SPECIFIED, DIMENSIONS ARE IN MILLIMETERS [INCHES].
UNLESS OTHERWISE SPECIFIED DIMENSIONAL TOLERANCES ARE:

.XX	±0.13 [.005"]
.X	±0.20 [.008"]
X	±0.50 [.019"]

ANGULAR TOLERANCES ARE: ALL=±1°

DO NOT SCALE DRAWING

PROJECTION:

DRAWN:	L. Ma	06/12/2014
CHECKED:	J. Zhu	06/12/2014
APPROVED:	M. Dong	06/12/2014

TITLE:
**TNC Straight Male Crimp
for LMR240 Cable**

CMPPTER®

Cmptter Electronics Co., Ltd. www.cmptter.com

PART No.:
80-03-1M10-004

SIZE: A4	SCALE: 2.5:1	SHEET: 1/1	REV: B
-------------	-----------------	---------------	-----------