

REV	DESCRIPTION OF REVISION	ECN No.	BY	DATE	APPROVED
A	INITIAL RELEASE	—	H. Xiao	02/15/07	M. Dong
B	STRUCTURE CHANGED	—	L. Ma	04/22/09	M. Dong
C	STRUCTURE CHANGED	—	L. Ma	12/25/13	M. Dong

TECHNICAL DATA

Electrical data

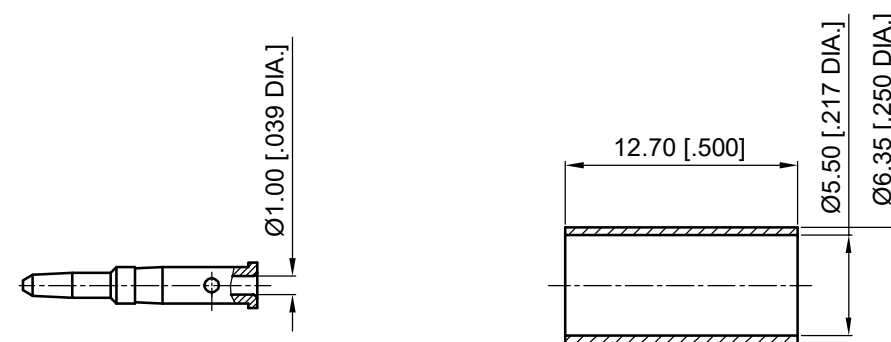
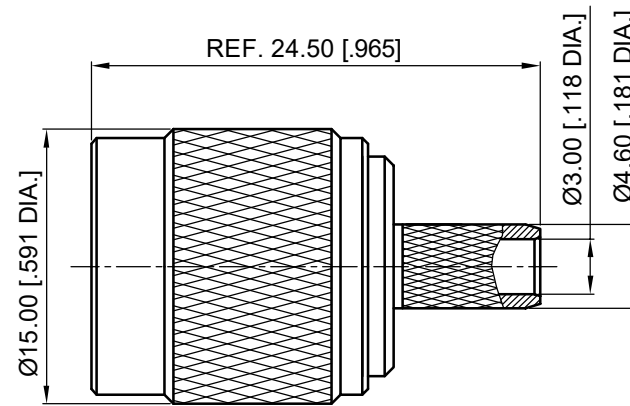
Impedance	50 Ω
Frequency range	0~6 GHz
Insulation resistance	≥5×10 ³ MΩ
Withstanding voltage	1000 V

Mechanical data

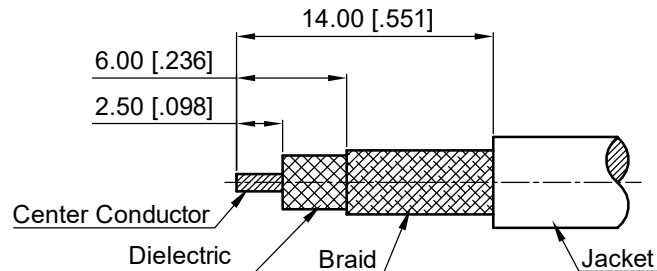
Temperature range	-65 °C ~ +165 °C
Durability (matings)	>500

Material data

Body	Brass, Nickel-plated
Pin Contact	Brass, Gold-plated
Coupling Nut	Brass, Nickel-plated
Crimp Ferrule	Copper, Nickel-plated
Insulator	PTFE
Gasket	Silicone Rubber




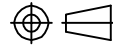
1.CRIMP FERRULE
HEX. CRIMP TOOL SIZE : 5.4 [.213]



Cable Stripping Dimensions

NOTES:

- ALL SPECIFICATIONS ARE SUBJECT TO CHANGE WITHOUT NOTICE AT ANY TIME
- CUSTOMER OUTLINE DRAWING FOR REFERENCE ONLY

DRAWN: L. Ma 04/22/09	TITLE:	 www.cmp ter.com			
ENGINEER: J. Zhu 04/22/09	TNC Straight Male Crimp for LMR195/RG58 Cable				
APPROVED: M. Dong 04/22/09		 DIMENSIONS IN MILLIMETERS (mm)			
TOLERANCE UNLESS OTHERWISE SPECIFIED					
X ±0.50 [.019"]	PART No.: 80-03-1M18-001	SIZE: A4	SCALE: 2.5:1	SHEET: 1/1	REV: C
.X ±0.20 [.008"]					
.XX ±0.10 [.004"]					
ANGLES ±1°					