

TECHNICAL DATA

Electrical

Impedance 50 Ω
 Frequency range 0~6 GHz
 Withstanding voltage 1000 V
 Insulation resistance $\geq 5 \times 10^3$ MΩ

Mechanical & Environmental

Durability (matings) >500
 Temperature range -55 °C ~ +165 °C
 RoHS Compliant Yes

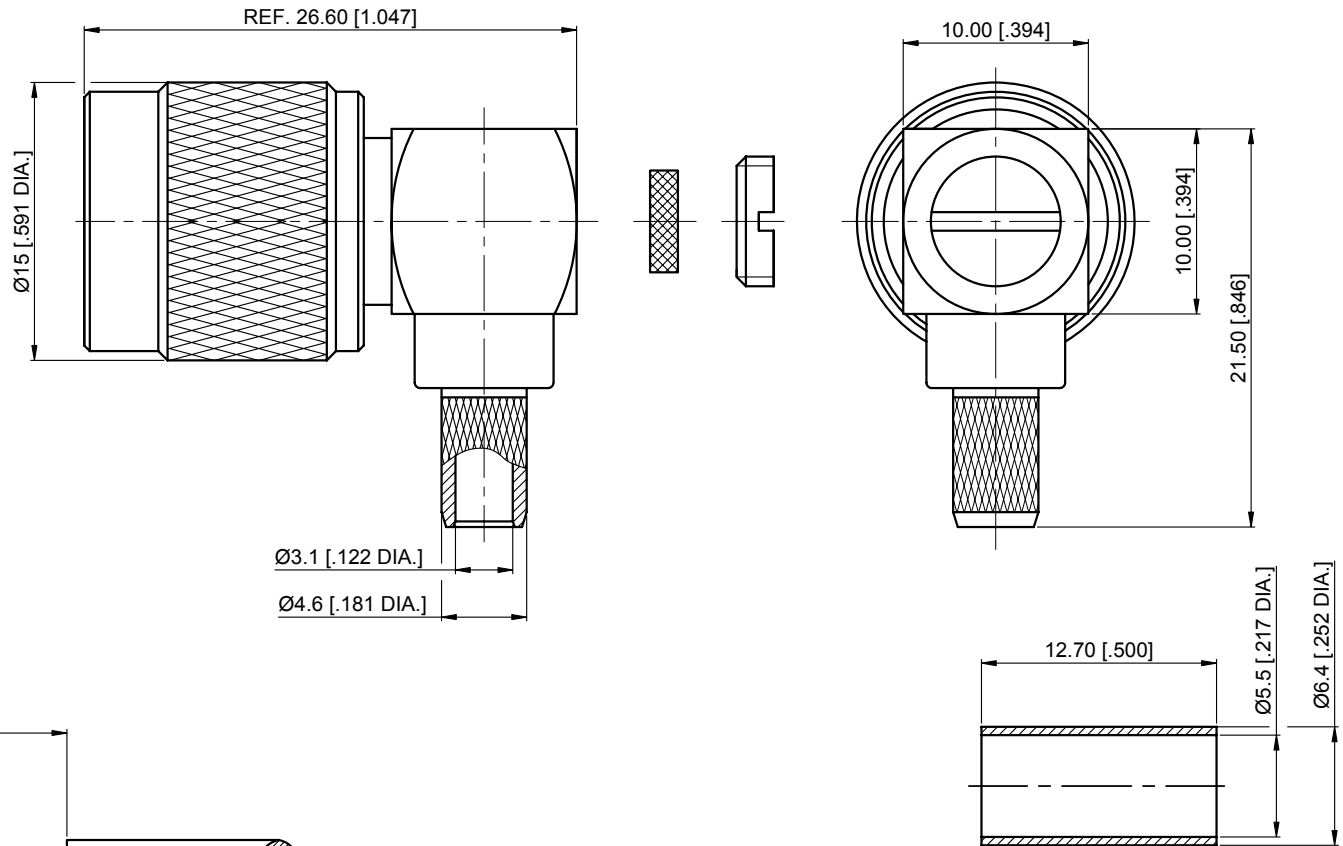
Material & Finish

Body Brass, Nickel-plated
 Pin Contact Brass, Gold-plated
 Coupling Nut Brass, Nickel-plated
 Crimp Ferrule Copper, Nickel-plated
 Insulator PTFE
 Gasket Silicone Rubber

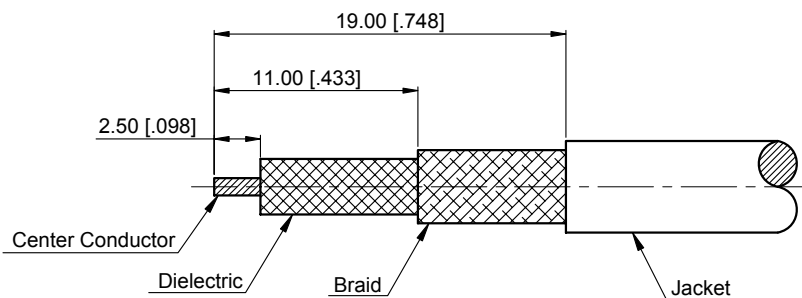
Interface Standards

TNC IEC-60169

REVISIONS				
REV	DESCRIPTION OF REVISION	ECN No.	DATE	APPROVED
A	INITIAL RELEASE	---	04/12/2007	M. Dong
B	STRUCTURE CHANGED	---	05/23/2010	M. Dong
C	DIMENSIONS CHANGED	---	02/20/2016	M. Dong



1. CRIMP FERRULE
 HEX. CRIMP TOOL SIZE : 5.4 [.213]



Recommend Cable Stripping Dimensions

UNLESS OTHERWISE SPECIFIED, DIMENSIONS ARE IN MILLIMETERS [INCHES]. UNLESS OTHERWISE SPECIFIED DIMENSIONAL TOLERANCES ARE: XX ±0.13 [.005"] X ±0.20 [.008"] X ±0.50 [.019"] ANGULAR TOLERANCES ARE: ALL ±1° DO NOT SCALE DRAWING PROJECTION:	DRAWN: L. Ma 02/20/2016 CHECKED: J. Zhu 02/20/2016 APPROVED: M. Dong 02/20/2016
---	---

TITLE: TNC Right Angle Male Crimp for LMR195/RG58 Cable

Cmptter Electronics Co., Ltd. www.cmptter.com			
PART No.: 80-13-1M18-009			
SIZE: A4	SCALE: 2.5:1	SHEET: 1/1	REV: C

- NOTES:
- ALL SPECIFICATIONS ARE SUBJECT TO CHANGE WITHOUT NOTICE AT ANY TIME
 - UNLESS OTHERWISE SPECIFIED ALL DIMENSIONS ARE NOMINAL.